



KESSEBÖHMER
CLEVER STORAGE



BRIGHT IDEAS
FOR BEAUTIFUL KITCHENS



WE ARE A STRONG
PARTNER FOR YOUR
BUSINESS.
KESSEBÖHMER

—  KESSEBÖHMER —



The name Kesseböhmer stands for innovative solutions and a powerful blend of design, function and quality. Today the Kesseböhmer group is still owned and managed by the current generation of the founding family.

Our core competence is in metal processing. We work with wire, flat band and tubing and our products are finished in our in-house electroplating and powder-coating facilities. Strong customer orientation has helped us to achieve and maintain our position as the leading supplier of functional fittings for kitchen units.

We supply elegant, high quality solutions for brilliantly organised kitchen storage. Our solutions help end users to make best use of available space and to streamline work processes. These benefits are strong selling points for kitchens.

In addition, kitchen manufacturers and kitchen fitters profit from the simplified assembly and easy adjustment of our pull-outs and other fittings. Many of our products are assembled without tools using snap-on connections. It saves time and ensures that the end result meets the highest standards.

Kesseböhmer has a high level of vertical integration, with all production processes in-house. We also engineer and build key elements of our production machinery and tooling. This strategy cuts development time from a new idea to a quality product:

Functions that delight. Designs that impress.

Quality that sets standards.



PRODUCT SELECTION GUIDE

	CABINET WIDTHS										HAND-DED		TRAY STYLE				
	150 mm	200 mm	250 mm	300 mm	400 mm	450 mm	600 mm	900 mm	1000 mm	1200 mm	Handed	Unhanded	ARENA Plus Chrome	ARENA Plus Anthracite	Style Chrome	Style Anthracite	YouBoxx
Tall Units																	
CONVOY Premio																	
CONVOY Lavido																	
CONVOY Centro																	
DISPENSA Swing																	
DISPENSA VVS																	
No. 15 V-X																	
TANDEM Depot (1100 mm)																	
TANDEM Depot (1700 mm)																	
TANDEM side																	
MiO Applications																	
TurnMotion II																	
CORNER STORAGE																	
LeMans II																	
LeMans II HighBoard																	
MagicCorner																	
Revo 90																	
BASE UNIT PULL-OUT																	
No.15 Bottle Pull out																	
No.15 Towel Pull out																	
COMFORT II																	
cookingAgent																	
DISPENSA Junior slim																	
PORTERO																	
WALL UNIT STORAGE																	
iMove																	

TALL CABINETS PERFECT STORAGE

On the way up. In today's kitchens, highboards are planned either as a block or as self-contained units. Often this strikingly modern unit is where you will find the technology.



CORNER CABINETS EASILY LOADED FROM THE TOP

Thanks to Kesseböhmer, corner units have taken a turn for the better. They are now firmly established as classic storage areas in a kitchen plan.



GOOD IDEAS FIT IN EVERYWHERE BASE CABINETS

To make intelligent use of the whole width of a kitchen, you need a fitting that moves the stored items out in front of the cabinet – so that you have a clear view and easy access.



MiO MY INTELLIGENT ORGANIZATION

Creating a system that is right for any size of room requires creative flexibility in planning and an innovative look – with functionality and style that is right for any area of your home, even wet rooms.



88

ACCESSORIES & SPECIALS THE ABILITY TO ORGANIZE

Creating a system that is right for any size of room requires creative flexibility in planning and an innovative look – with functionality and style that is right for any area of your home, even wet rooms.



92

- 6 Product Selection Guide
- 8 Function & Operation
ARENA, SoftSTOPP,
SoftSTOPPplus &
SoftSTOPPpro,
Synchronatic, ClickFixx
- 20 Tall Cabinets
Perfect storage
- 58 Corner Cabinets
Easily loaded from the top
- 72 Base Cabinets
Good ideas fit in everywhere
- 88 MiO
My intelligent organization
- 92 Accessories & Specials
Design creates order
- 114 Wardrobe Accessories
Everything neat and tidy
- 128 Quality and Environment



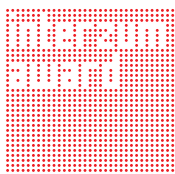


ARENA style – FINE DESIGN AND PERFECT WORKMANSHIP

 KESSEBÖHMER

People choosing a new kitchen set a high priority on attractive design – also for the interior fittings – as an important purchase criterion. This means that function and optics should blend in a homogenous whole, the interior fittings must harmonise with the overall kitchen design.

Our design ARENA style design is used throughout – in larder pull-outs, and in corner, base and wall units. It combines optimal functionality and elegant optics with maximum space utilisation – thanks to the railing being attached to the outer edge of the tray.



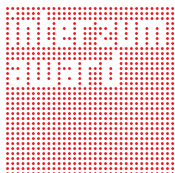
reddot design award

ARENA plus anti-slip coating – WELCOME TO THE QUIET KITCHEN

— KESSEBÖHMER —



Kesseböhmer developed the special ARENA plus coating which prevents pots and pans, crockery and groceries slipping and sliding when a pull-out is opened or a carousel turned. All ARENA trays are supplied with the optional anti-slip coating.





ARENAplus



SoftSTOPP, SoftSTOPPplus
& SoftSTOPPpro –
GENTLE DECELERATION
AND NOISELESS CLOSING

— KESSEBÖHMER —



SoftSTOPP, SoftSTOPPlus & SoftSTOPpro provide the best combination as a high-performance damping system for cabinets designed to take high loads.

The SoftSTOPP range harmonizes movement sequences.

SoftSTOPP delivers damped closing.

SoftSTOPPlus delivers damped closing plus self-closing.

SoftSTOPpro delivers damped opening.





Your benefits in brief:

- more flexibility and ease-of-use in the kitchen
- the only larder pull-out with Synchronomatic

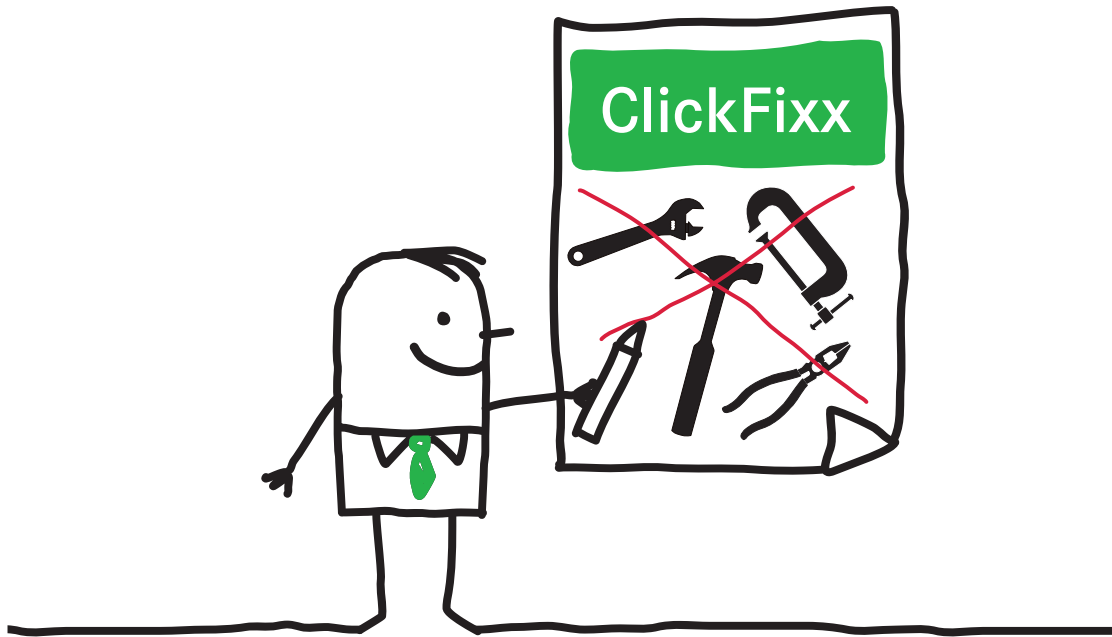


Synchromatic: THE NEW STANDARD FOR PERFECT CLOSING IN A BUSY KITCHEN

— KESSEBÖHMER —

This innovative synchronization system makes sure that the segments of the runner always automatically line up in “zero” position – regardless of whether the pull-out is opened fully or partially. Closing will always be optimal.





ClickFixx: MAKING ASSEMBLY FASTER AND SIMPLER

 KESSEBÖHMER

It is simple and fast. The new ClickFixx system for CONVOY, DISPENSA, LeMans II, MagicCorner, REVO 90° and FREElift cuts assembly time and guarantees a high standard. Both the front panel and the support frame connector are clipped on in a rapid, toolless process! And then all it takes is a screwdriver for gap adjustment.





ClickFixx for DISPENSA



ClickFixx for CONVOY



ClickFixx for MagicCorner



ClickFixx for LeMans II



ClickFixx for REVO 90°



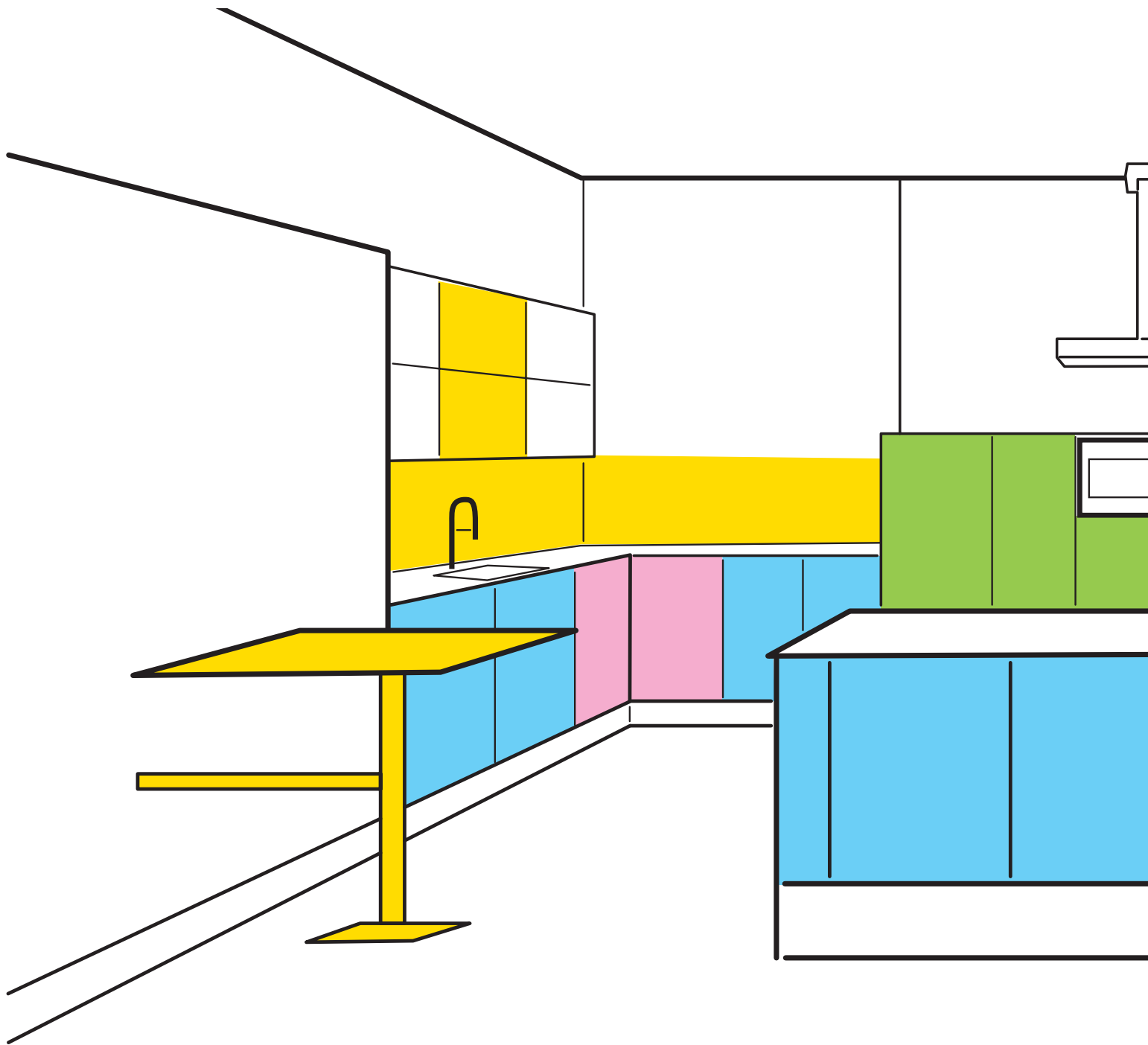
ClickFixx for FREELift



ClickFixx for DISPENSA junior III



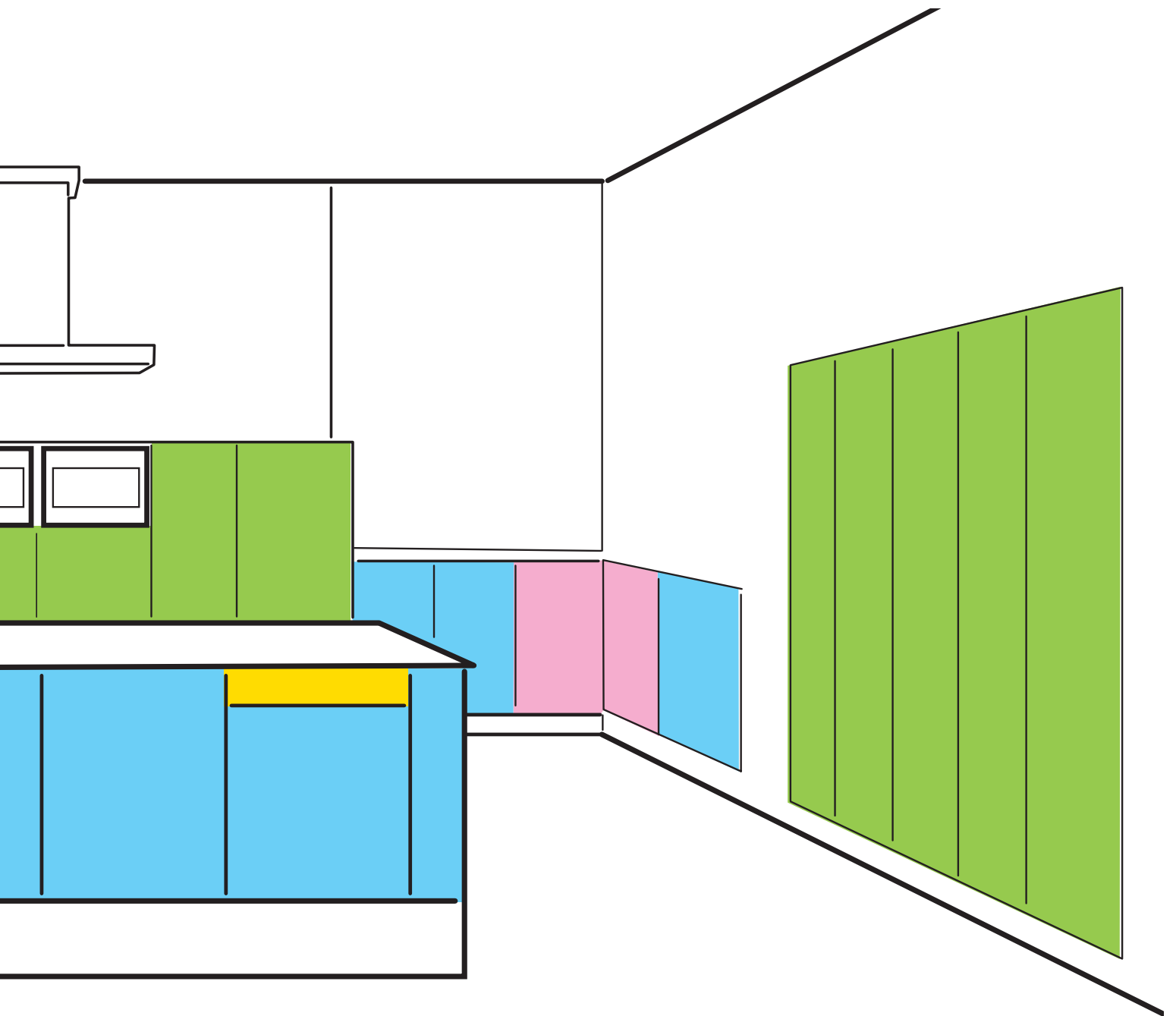
ClickFixx for No. 15



”

KESSEBÖHMER PRODUCTS

Quality is and will always remain the investment with the highest returns.



Clever Storage – A specialist in every cupboard. A cupboard is rarely just a cupboard – certainly not in the kitchen! Content-specific fittings, exactly matched to the contents, are the best solution: for your pots and pans, glasses and plates, and naturally your groceries! A well-organised stock of dry foods is the best recipe for planning and cooking great meals. Clever Storage is an approach which ensures that, in your kitchen, there is a place for everything – well-organised and easy to find and retrieve. It is the perfect combination of the practical and the stylish – and it saves space and time. See for yourself!



- Tall Cabinets ■
- Corner Cabinets ■
- Base Cabinets ■
- Accessories & Specials ■
- Wardrobe Accessories ■



”

KESSEBÖHMER TALL CABINETS



On the way up. In today's kitchens, highboards are planned either as a block or as self-contained units. Often this strikingly modern unit is where you will find the technology focus and also the central food storage in the kitchen.

Oven, steam oven and microwave can all be integrated in a highboard block, as can the food storage "mixed double" – the refrigerator and grocery cupboard.



CONVOY – MAKES DREAMS COME TRUE

KESSEBÖHMER



Groceries must be stored so that individual items can be located and retrieved easily



Fresh food need to be kept cool



Mixed double: FRIDGE + LARDER UNIT

 KESSEBÖHMER

The CONVOY from Kesseböhmer provides space enough to store all the groceries for a household in one centrally positioned unit with a very small footprint. A light touch moves the entire contents out in front of the unit – for a clear view from either side and very fast access. It makes kitchen work much easier, it saves time and effort and it avoids the risk of items being forgotten at the back of a cupboard.

Together the fridge + CONVOY create a complete storage centre in a contemporary fitted kitchen. **Accessible 24 hours a day, 7 days a week.**

larder unit



fridge



CONVOY Lavidó WILL WIN HEARTS WITH STRAIGHTFORWARD AND OPEN APPROACH

 KESSEBÖHMER

The **CONVOY Lavidó** makes a great impression. CONVOY Lavidó is a storage system “made for life” because of its multiple uses – in contemporary kitchens, in living and dining rooms and as a key element in a home office.

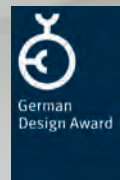
What is so special about the CONVOY Lavidó? CONVOY Lavidó is not attached to the front panel, so that it is perfect for many

different designs and applications, for example, behind sliding doors. Not only are all the contents in clear view, they are virtually “presented” to the user. Discover the many beautiful and practical details. Be inspired!



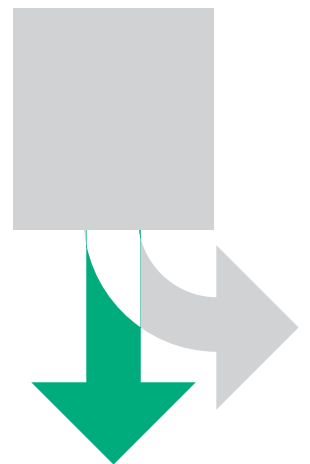
interior
innovation
award

Winner





Function:



Standard with:



ARENA^{PLUS}
anti-slip coating

Optional with:

eTouch[®]

CONVOY Premio: EVERYTHING IN EASY REACH

KESSEBÖHMER



Extremely flexible and very good looking.

The CONVOY Premio highlights the versatility of the whole CONVOY family. The CONVOY Premio moves independently of the front panel, so that it combines perfectly with different cabinet concepts – behind sliding doors, for example.

This tall pull-out is an elegant storage solution not only for contemporary kitchens, but for wider use, for example, in dining rooms or offices. A number of intelligent details make it a high-end technical product.



reddot design award

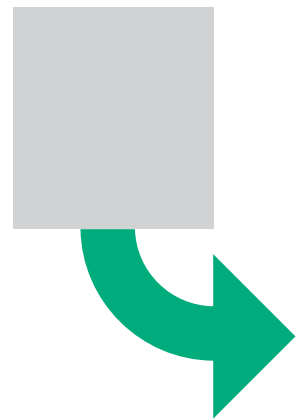




Your Benefit:

- Larder unit full-extension pull-out incl. door follower
- Opening the door pulls the fitting automatically out of the unit
- With the door open, users have instant access to all contents from 3 sides
- Only one gentle pull to move all the contents out in front
- Very easy action with damped

Function:



Standard with:

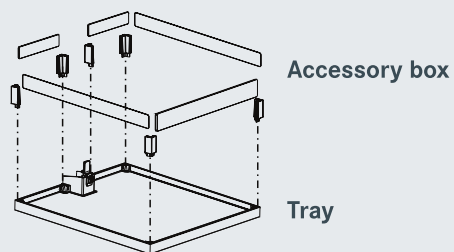
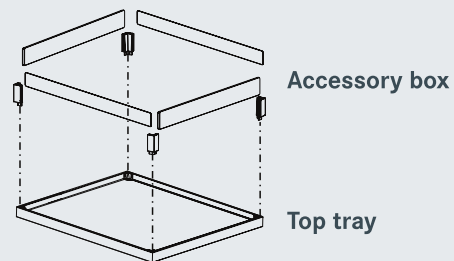
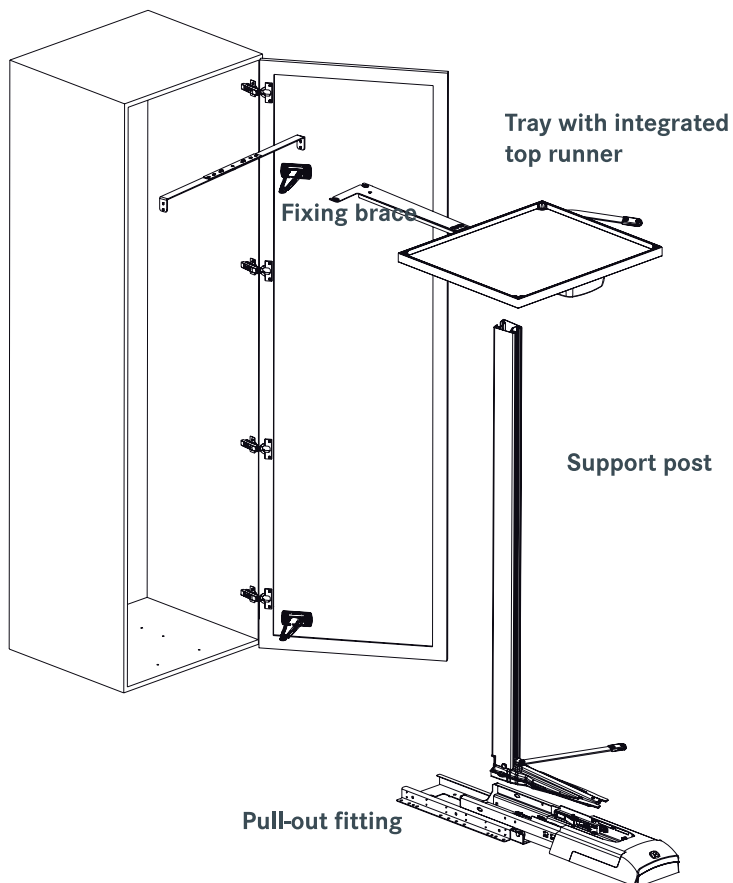


ARENA^{PLUS}
anti-slip coating

Optional with:

eTouch[®]

CONVOY PREMIO



CONVOY Premio Set

Set consisting of:

Part 1
Frame (alignment left or right)

Inside cabinet width (mm)	Cabinet width (mm)	Colour gallery/bottom	Art. No.
562	600	Chrome/Ice White	
Left alignment			280641 0005
Right alignment			280642 0005

Inside cabinet height $\geq 2,000$ mm

Part 2
Tray set
 5 shelves, 5 accessory boxes, 1 follower, 1 support angle,
 1 connection rod, 2 front connectors

Part 3
Runner
 with premounted SoftSTOPPro

eTouch (optional)

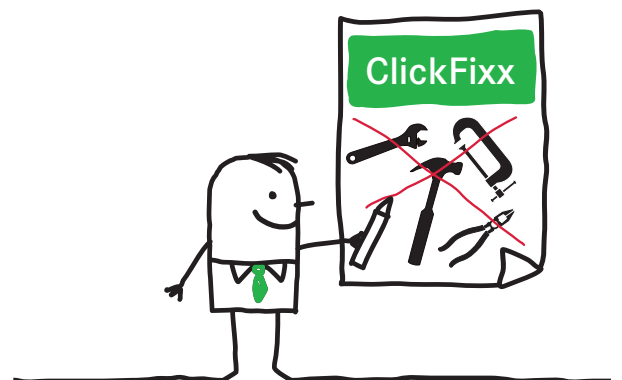
084247 7930



DISPENSA 90° – STORAGE FOR EASY ACCESS

 KESSEBÖHMER

Each tray or basket can be individually hung at a height to suit the contents, making DISPENSA 90° a flexible solution providing a lot of storage with a very small footprint. The entire height and width of the unit can be fully utilised. It makes best use of available space, and supports good organisation and fast access. All the contents, even on the topmost shelf, are in clear view – from either side!

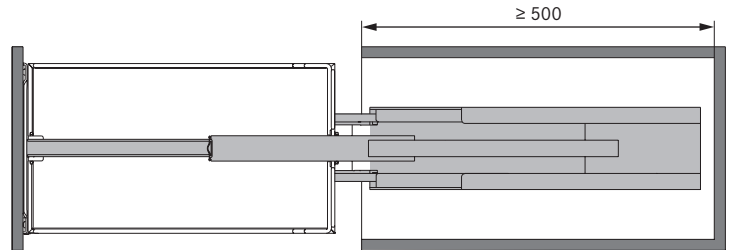
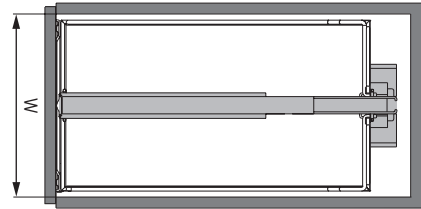




Your Benefit:

- The pull-out larder unit: Successful on the market for over 30 years
- ClickFixx – toolless assembly and simple adjustment: Up to 70 % faster assembly!
- Patented Synchronomatic system: Reliable function – guaranteed!
- Transparent tray sides: Fast and easy access to contents – clear visibility from top to oobottom.
- Set components complete with runner, frame, front strips, front brackets

DISPENSA – the classic storage unit



Standard with:



Optional with:

eTouch®



Youboxx Set 1

set no.

ice white

005273 9966

Set consists of 2 boxes (1.0 L), 1 box (2.1 L), 2 boxes (2.0 L), 1 slotted knife block, 2 lids and 2 traverse rails

Lid and divider elements white.



Youboxx Set 3

set no.

ice white

005275 9966

Set consists of 2 boxes (1.0 L), 2 boxes (2.1 L), 2 lids, 1 divider (large) and 2 traverse rails.

Lid and divider elements white.



Youboxx Set 5

set no.

ice white

005277 9966

Set consists of 1 chopping board holder, 2 boxes (1.0 L), 1 box (2.1 L), 2 boxes (2.0 L), 1 slotted knife block, 2 lids and 2 traverse rails.

Lid and divider elements white.

DISPENSA 90° VVS

Set consisting of:

Part 1

Frame

Inside cabinet width (mm)	Cabinet width (mm)	Colour gallery/bottom	Art. No.
260	300	Chrome/Ice White	260062 0005
		Anthracite/Anthracite	260067 9846
360	400	Chrome/Ice White	260063 0005
		Anthracite/Anthracite	260068 9846

Inside cabinet height $\geq 1,900$ mm

Part 2

Tray set ARENA style

5 shelves

Part 3

Runner

with premounted SoftSTOPPlus and SoftSTOPpro

eTouch (optional)

084247 7930

Utility Tray	Dimensions (mm)	Art. No.
	BxDxH	
	465 x 85 x 33,5	
	Space:	
	462 x 79	
Utility Tray Anthracite		235227 9846
Utility Tray Ice white		235227 9966



No.15 DISPENSA: SLIM UNIT WITH PRACTICAL FUNCTIONALITY

— KESSEBÖHMER —



In some kitchen layouts, it's practical to have pull-out functionality even in very narrow highboards.

The DISPENSA V-x part extension with SoftSTOPPplus is a good basis for a larger unit function for 150 mm wide units.

No. 15 DISPENSA

Set consisting of:

Part 1 Frame

Inside cabinet width (mm)	Cabinet width (mm)	Colour gallery/bottom	Art. No.
112	150	Chrome/Ice White	260064 0005

Inside cabinet height $\geq 1,900$

Part 2 Front Bracket DISPENSA 150 mm

Part 3 Tray set ARENA style 5 shelves

Part 4 Runner with premounted SoftSTOPPlus

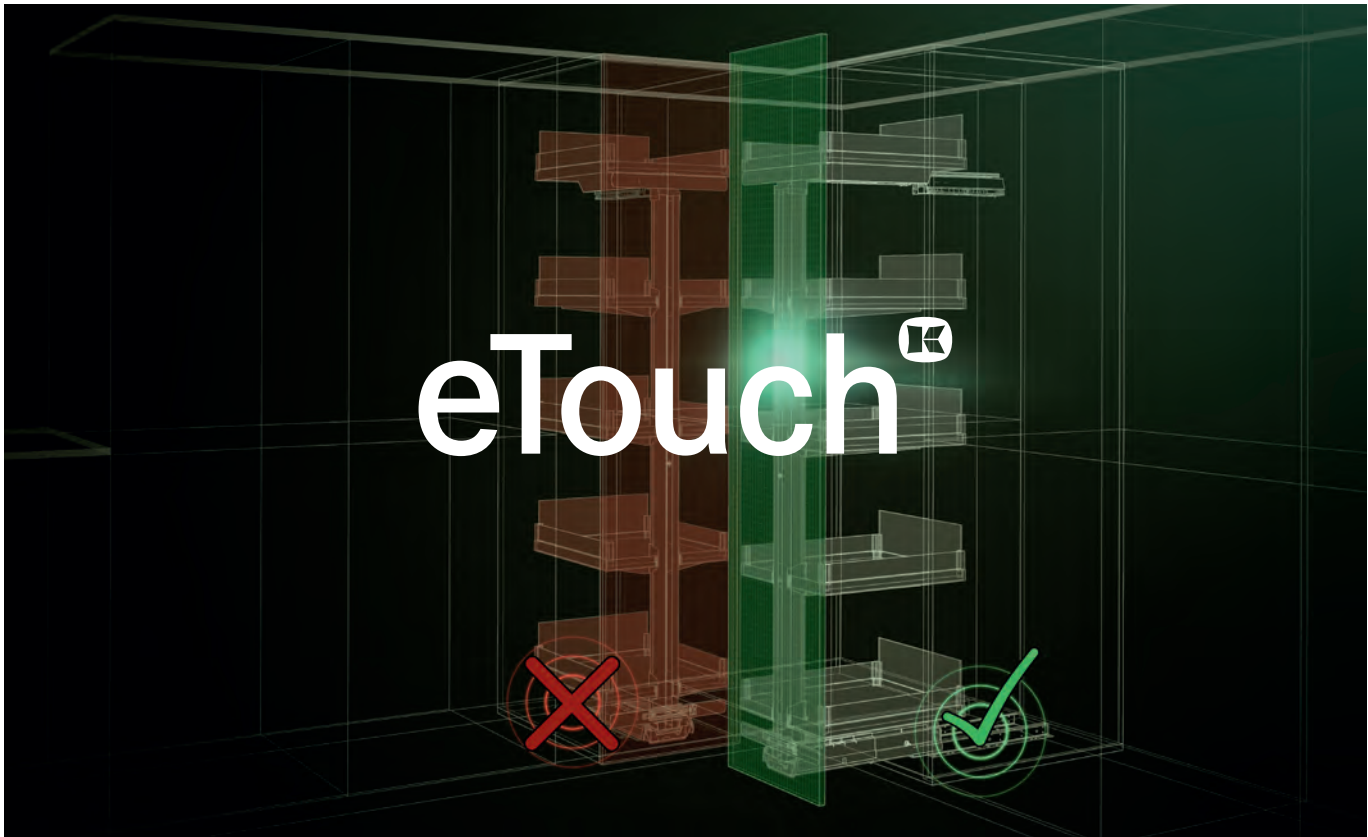
Part 5 Divider ARENA style for 150 mm tray 10 pcs

Standard with:



ARENAplus
anti-slip finish





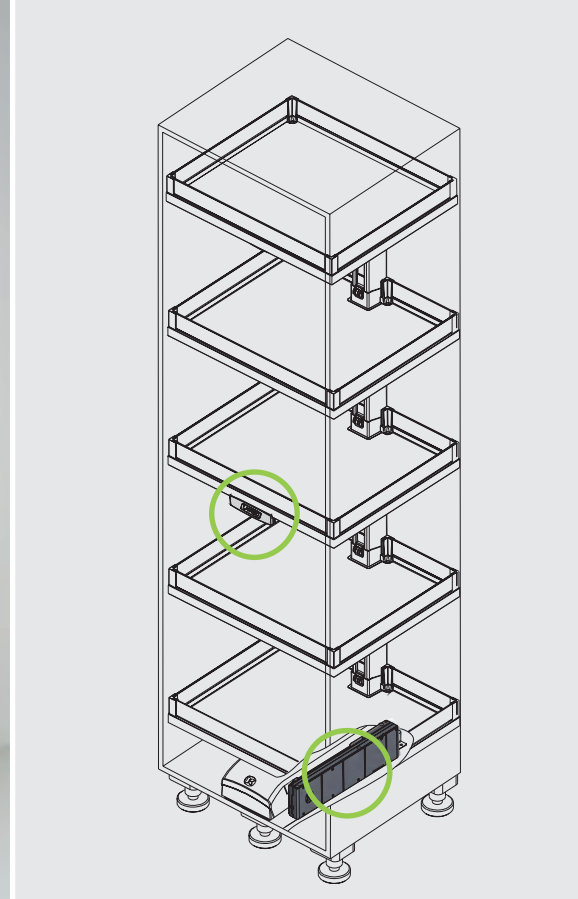
WITH ANY AUTOMATED PROCESS, SAFETY IS OF PARAMOUNT IMPORTANCE

— KESSEBÖHMER —

There's no risk of a collision with the front of a second wall or base unit installed at right angles to the first, because the sensors communicate wirelessly with each other.

The fact that the eTouch system needs no reaction gap between the front panel and the carcass helps to simplify kitchen planning, for example, when highboards with different functionality stand side-by-side. eTouch works perfectly with units fitted with seals.





eTouch for CONVOY Lavidó

Suitable for all CONVOY Lavidó cabinet widths – can be retrofitted!
Set (consisting of handle and motor)

With GB/UK plug

Product code

002401 7930

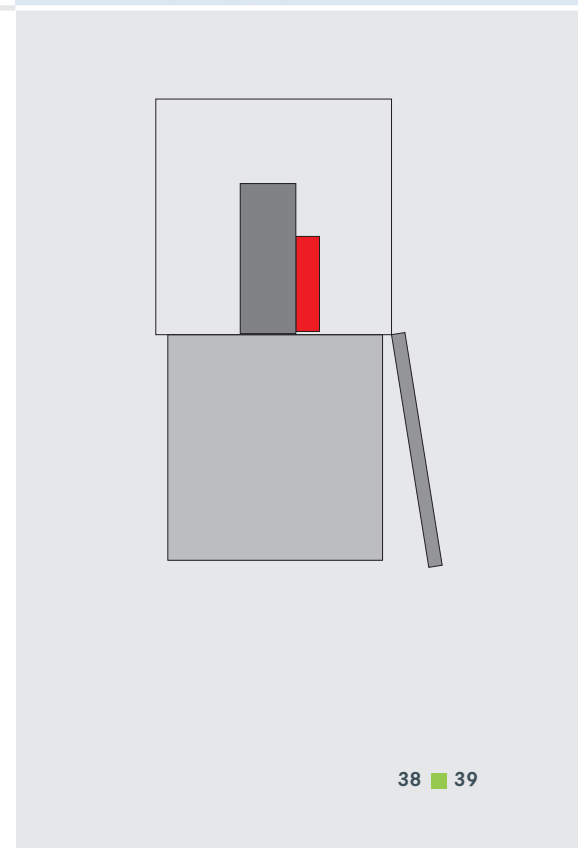
Colour code:
Grey 7930



Assembly	Glue in place
Power supply	Battery CR 2032 3V (supplied)

Motor

Mains connection	Euro 8 as per EN 60320/C8; 1.5 m cable Black
Voltage	110-240 V AC, 50/60 Hz, ≥ 2 A
Rated power	60 Watt
Standby power	<1 Watt
Dimensions	388 x 48 x 100 mm (L x B X H)
Weight	1.2 kg
Max. pull-out weight	120 kg
Housing colour	Grey (7930)
Product compatibility	CONVOY Lavidó with SoftSTOPPpro and SoftSTOPPplus
Assembly materials (supplied)	3 wood screws 4.5 x 100
Motor position	Beside and to right of the runner
Electrically assisted	Full opening and closing

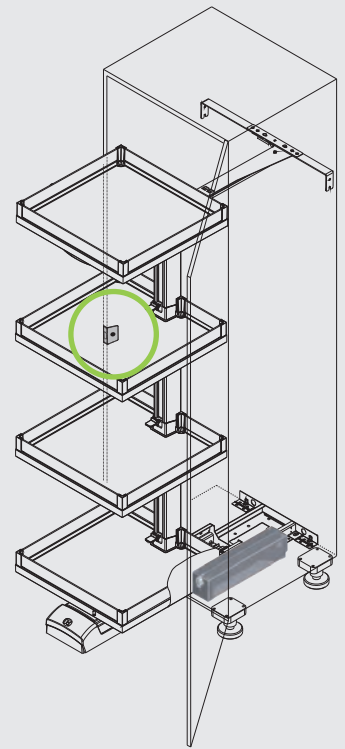




Install in predrilled cup hole so that front sensor is perfectly integrated into the carcass.



Install using adapter to take the sensor. Ideal for fronts with grip recesses



Product code

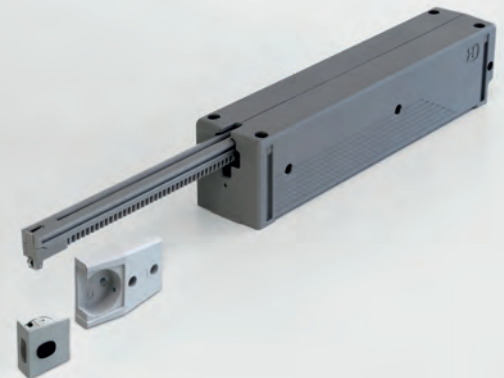
eTouch für CONVOY Premio

Electrically assisted: full opening and closing for all cabinet widths - can be retrofitted! Set (consisting of motor, front sensor and adapter for front sensor assembly). Identical to set for DISPENSA

With EU-DIN plug
With GB/UK plug
With US/JP plug
With AUS plug

084246 7930
084247 7930
084248 7930
084249 7930

Colour code:
Grey 7930

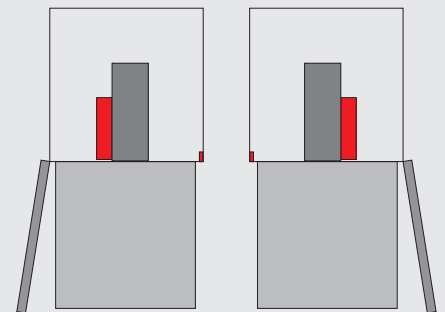


Assembly front sensor

Without adapter	Predrilled cuphole / insert (assembly aid supplied)
With adapter	Screw in place / insert
Power supply	Battery CR 2032 3V (supplied)

Motor

Mains connection	Euro 8 as per EN 60320/C8; 1.5 m cable Black
Voltage	110-240 V AC, 50/60 Hz, ≥ 2 A
Rated power	60 Watt
Standby power	<4 Watt
Dimensions	333 x 68 x 77 mm (BxDxH)
Weight	1.6 kg
Max. pull-out weight	CONVOY Premio: 120 kg
Housing colour	Grey (7930)
Product compatibility	CONVOY Premio with SoftSTOPPpro and SoftSTOPPlus
Assembly materials (supplied)	4 wood screws 4.5 x 75, assembly aid
Motor position	CONVOY Premio: hinge side
Electrically assisted	Opening





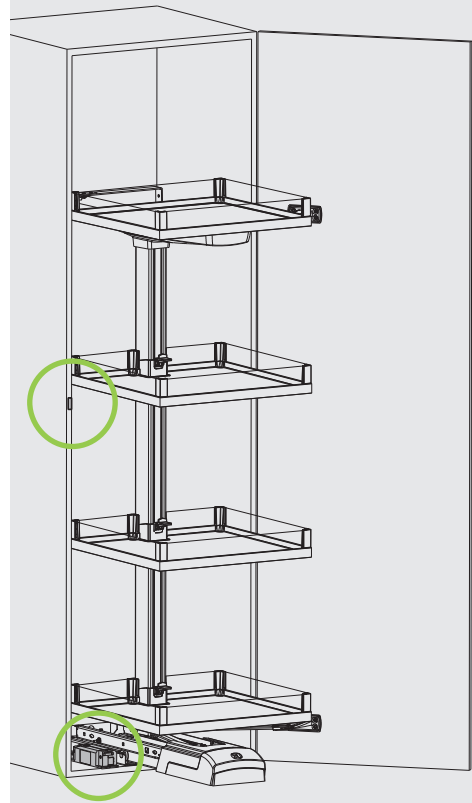
Assembly with predrilled cuphole so that front sensor is perfectly integrated into the carcaset.



Opening gap 44 mm



Install using adapter to take the sensor. Ideal for fronts with grip recesses.



eTouch+ for CONVOY Premio

Suitable for cabinet widths from 300 mm – can be retrofitted!

Set (consisting of motor, front sensor and adapter for front sensor assembly)

With EU-DIN plug
With GB/UK plug
With US/JP plug
With AUS plug

Product code

002440 7001
002441 7001
002442 7001
002443 7001

Colour code:
Grey 7001

Identical to eTouch+ set for DISPENSA VVS-x

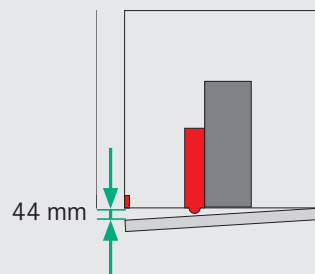
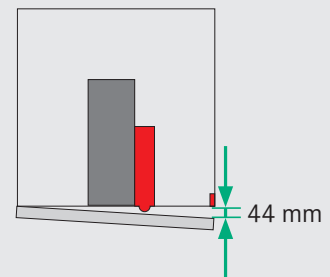


Assembly front sensor

Without adapter	Predrilled cuphole / insert (assembly aid for predrilled cuphole included)
With adapter	Screw in place / insert (3 pieces of wood screws 3.5 x 12 included)
Power supply	Battery CR 2032 3V (supplied)

Motor

Mains connection	Hollow plug 2.5/5.5 mm; 1.5 m cable Black
Voltage	24 VDC, ≥ 1,5 A
Rated power	30 Watt
Standby power	0.5 Watt
Dimensions	157 x 45 x 47 mm (BxDxH)
Weight	0.2 kg
Max. pull-out weight	CONVOY Premio: 120 kg
Housing colour	Grey (7001)
Product compatibility	CONVOY Premio with SoftSTOPPpro and SoftSTOPPlus
Assembly materials (supplied)	3 wood screws 4 x 16
Motor position	CONVOY Premio: opposite hinge side
Electrically assisted	Opening gap 44 mm

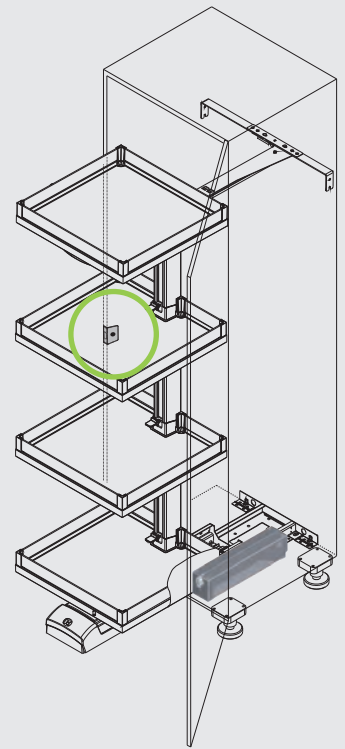




Install in predrilled cup hole so that front sensor is perfectly integrated into the carcass.



Install using adapter to take the sensor. Ideal for fronts with grip recesses



Product code

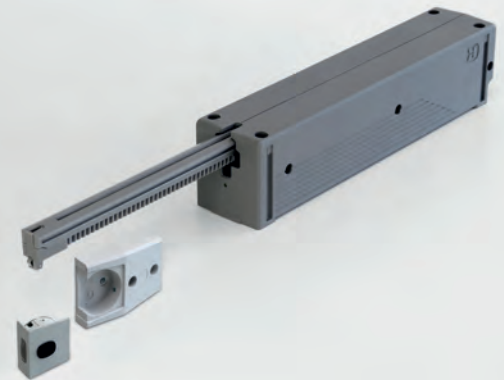
eTouch für CONVOY Premio

Electrically assisted: full opening and closing for all cabinet widths - can be retrofitted! Set (consisting of motor, front sensor and adapter for front sensor assembly). Identical to set for DISPENSA

With EU-DIN plug
With GB/UK plug
With US/JP plug
With AUS plug

084246 7930
084247 7930
084248 7930
084249 7930

Colour code:
Grey 7930

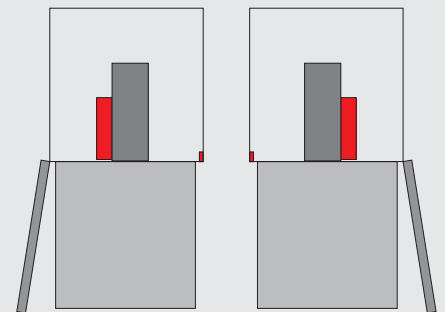


Assembly front sensor

Without adapter	Predrilled cuphole / insert (assembly aid supplied)
With adapter	Screw in place / insert
Power supply	Battery CR 2032 3V (supplied)

Motor

Mains connection	Euro 8 as per EN 60320/C8; 1.5 m cable Black
Voltage	110-240 V AC, 50/60 Hz, ≥ 2 A
Rated power	60 Watt
Standby power	<4 Watt
Dimensions	333 x 68 x 77 mm (BxDxH)
Weight	1.6 kg
Max. pull-out weight	CONVOY Premio: 120 kg
Housing colour	Grey (7930)
Product compatibility	CONVOY Premio with SoftSTOPPpro and SoftSTOPPplus
Assembly materials (supplied)	4 wood screws 4.5 x 75, assembly aid
Motor position	CONVOY Premio: hinge side
Electrically assisted	Opening





FOR KITCHENS THAT SWING INTO ACTION: DISPENSA swing!

— KESSEBÖHMER —



Like other DISPENSA units, DISPENSA swing has individually height adjustable baskets/trays to maximise space utilisation. Its special feature is its ability to turn on its own axis when it is fully extended.

It can be turned left or right for easy access to either side. Finding and retrieving contents is quick and easy.



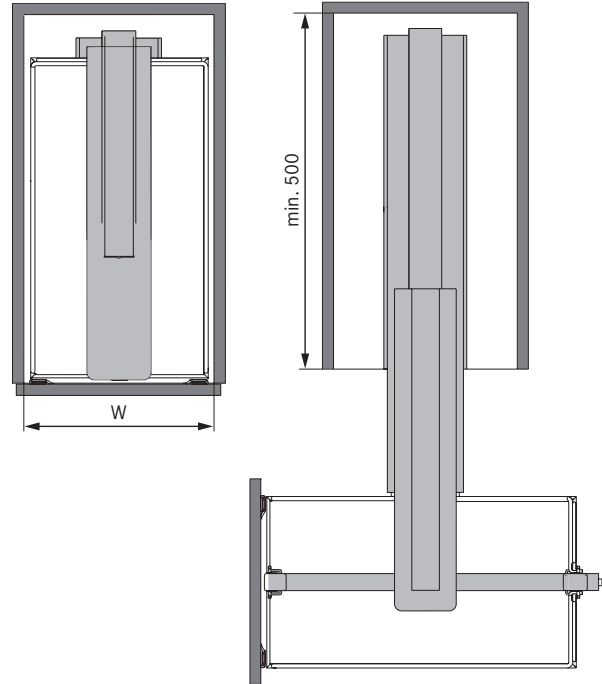
reddot design award

Your Benefit:

- ClickFixx – toolless assembly and simple adjustment: Up to 70 % faster assembly!
- Transparent tray sides: Fast and easy access to contents – clear visibility from top to bottom
- Set components complete with runner, frame, front strips, front brackets
- Storage fitting that glides out and swivels; Improved usability and comfort as pull-out swivels 90° for easier, time-saving access

DISPENSA swing – a storage solution takes a turn

Standard with:



Youboxx Set 1

set no.

ice white

005273 9966

Set consists of 2 boxes (1.0 L), 1 box (2.1 L), 2 boxes (2.0 L), 1 slotted knife block, 2 lids and 2 traverse rails

Lid and divider elements white.



Youboxx Set 3

set no.

ice white

005275 9966

Set consists of 2 boxes (1.0 L), 2 boxes (2.1 L), 2 lids, 1 divider (large) and 2 traverse rails.

Lid and divider elements white.



Youboxx Set 5

set no.

ice white

005277 9966

Set consists of 1 chopping board holder, 2 boxes (1.0 L), 1 box (2.1 L), 2 boxes (2.0 L), 1 slotted knife block, 2 lids and 2 traverse rails.

Lid and divider elements white.

DISPENSA swing

Set consisting of:

Part 1 Frame

Inside cabinet width (mm)	Cabinet width (mm)	Colour gallery/bottom	Art. No.
260	300	Chrome/Ice White	260060 0005
		Anthracite/Anthracite	260065 9846
360	400	Chrome/Ice White	260061 0005
		Anthracite/Anthracite	260066 9846

Inside cabinet height \geq 1,900 mm

Part 2 Tray set ARENA style 5 shelves

Part 3 Runner with premounted SoftSTOPplus and SoftSTOPpro

Utility Tray	Dimensions (mm)	Art. No.
	BxDxH 465 x 85 x 33,5	
	Space: 462 x 79	
Utility Tray Anthracite		235227 9846
Utility Tray Ice white		235227 9966





LET ME SHOW YOU MY STORES. TANDEM!

 KESSEBÖHMER

Good storage fittings are designed with specific goals in mind. Of key importance are making the most of the available storage space, ensuring a clear overview and quick and easy access to all the contents.

These are goals where Kesseböhmer's TANDEM scores double.





Trays can be fitted at different levels

Generous storage space in the door shelf

Standard with:

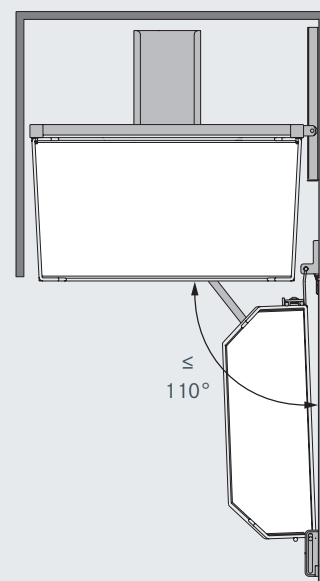
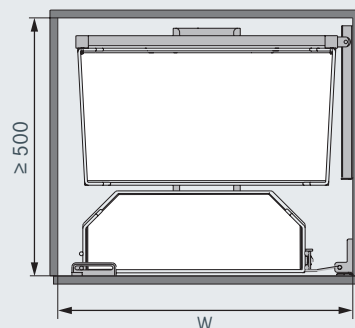


ARENAplus
anti-slip finish

Your Benefit:

- TANDEM depot – supermarket shelf-type storage at home
- Split storage – front + rear shelf units – for a better overview and more transparency
- Emotional movement sequences: The front (door) shelf swings open with the door; The rear shelf is automatically drawn forward
- Same frame for left and right installation – simplifies planning – independent of cabinet height
- Mature, reliable runner system

TANDEM – the exclusive storage solution



TANDEM 4-tier

Set consisting of:

Part 1 Frame

Inside cabinet width (mm)	Cabinet width (mm)	Colour gallery/bottom	Art. No.
412	450	Chrome/Ice White	260212 0005
562	600	Chrome/Ice White	260216 0005

Inside cabinet height $\geq 1,100$ mm

Part 2 Tray set ARENA style 4 shelves

TANDEM 6-tier

Set consisting of:

Part 1 Frame

Inside cabinet width (mm)	Cabinet width (mm)	Colour gallery/bottom	Art. No.
412	450	Chrome/Ice White	235392 0005
		Anthracite/Anthracite	235833 9846
562	600	Chrome/Ice White	235393 0005
		Anthracite/Anthracite	235834 9846

Inside cabinet height $\geq 1,700$ mm

Part 2 Tray set ARENA style 6 shelves



TANDEM side

MODULAR STORAGE FITTING
FOR TOTAL FLEXIBILITY

 KESSEBÖHMER



TANDEM side

100% MODULAR

THE NEW TANDEM SIDE DOOR SHELF IS A KEY ELEMENT IN A NEW BUILDING BLOCK SYSTEM THAT CREATES ULTRA-FLEXIBLE STORAGE FITTINGS. A wide choice of modules and different Kesseböhmer products can be combined to create custom storage fittings from standard components. The resulting fittings will exactly match customer requirements – both in value and in functionality.

Part of the appeal of the new door shelf is the fact that it continues to use existing building blocks and products. It can be fitted on its own, paired with the existing TANDEM pull-out shelf, and/or upgraded with the customer's choice of YouBox_x sets. Trays and Youbox_xes can be hooked on to the TANDEM frame at user-selected heights.



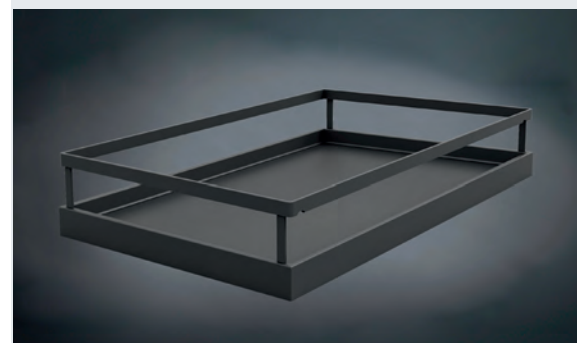
TANDEM side 2-tier

Set consisting of:

Frame + 2 shelves ARENA style

Inside cabinet width (mm)	Cabinet width (mm)	Colour gallery/bottom	Art. No.
562	600	Chrome/Ice White	003668 0005
		Anthracite/Anthracite	003644 9846

Inside cabinet height \geq 600 mm



TANDEM side 4-tier

Set consisting of:

Frame + 4 shelves ARENA style

Inside cabinet width (mm)	Cabinet width (mm)	Colour gallery/bottom	Art. No.
562	600	Chrome/Ice White	003670 0005
		Anthracite/Anthracite	003646 9846

Inside cabinet height $\geq 1,100$ mm



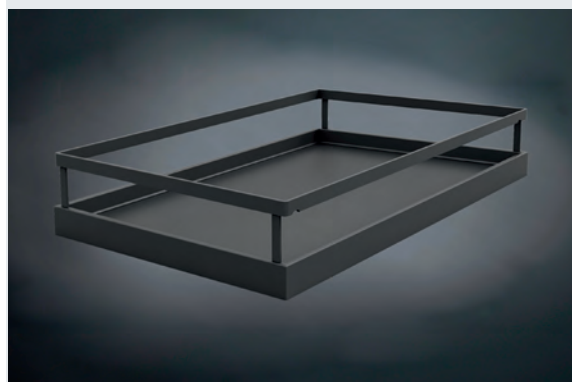
TANDEM side 5-tier

Set consisting of:

Frame + 5 shelves ARENA style

Inside cabinet width (mm)	Cabinet width (mm)	Colour gallery/bottom	Art. No.
562	600	Chrome/Ice White	003671 0005
		Anthracite/Anthracite	003647 9846

Inside cabinet height $\geq 1,700$ mm

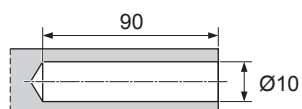


push-to-open (PTO) Typ I for TANDEM side

drill-in ejector

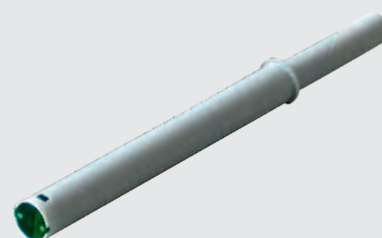
● 17-23 N

Grey 7035



Product code

272072 7035





PERFECTLY TURNED OUT: TurnMotion II

 KESSEBÖHMER

With TurnMotion II, the fitting revolves effortlessly to move any side round to face you. Each tray turns individually by 360° in either direction so that the contents on all four sides move into clear view and easy reach.

This fitting is an ultra-practical solution for storage space that is above the ergonomically accessible height. It's also perfect for the often under-utilized space above integrated appliances.

Stops on each of the four sides lock the tray temporarily in position so that items can be lifted in or out safely. TurnMotion II trays are height adjustable so that you can position them at the height you need. TurnMotion II comes ready prepared for fast, zero-error installation.

The TurnMotion II design concept puts the highest priority on quick and easy assembly and effortless, reliable operation.

The mounting strips are simply screwed onto the carcass sides. This can be done either ahead of the carcass press or later on-site while the kitchen is being installed.

The trays with the premounted support arms are then hooked securely into the mounting strips. No tools required!





TurnMotion

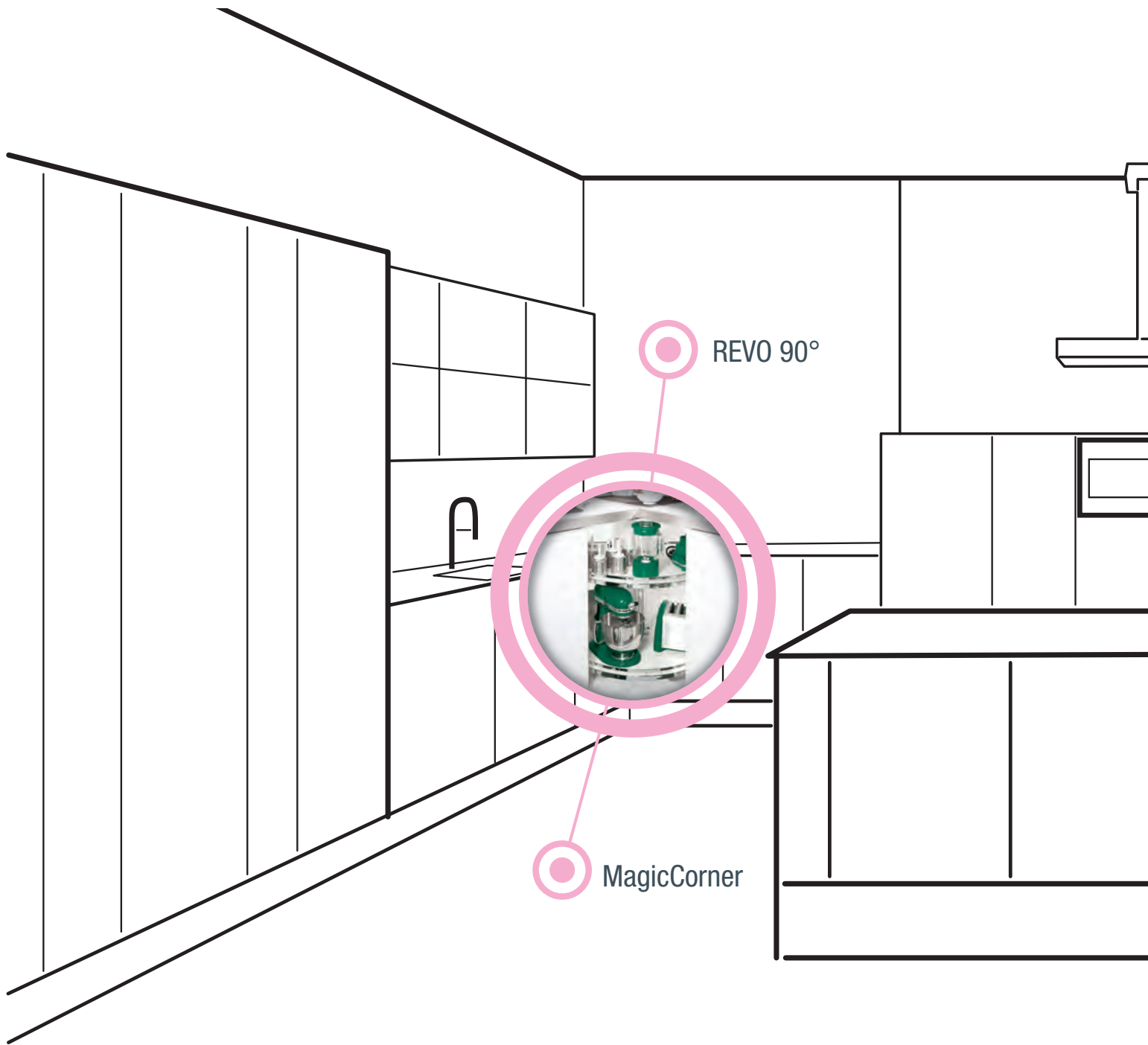
Turntable fitting for storage units,
set consisting of:
2 trays with support arms
2 mounting strips
incl. screws

Cabinet width (mm)	Colour gallery/bottom	Art. No.
600	Chrome/Ice White	235223 0005
600	Anthracite/Anthracite	235223 9846

Your Benefit:

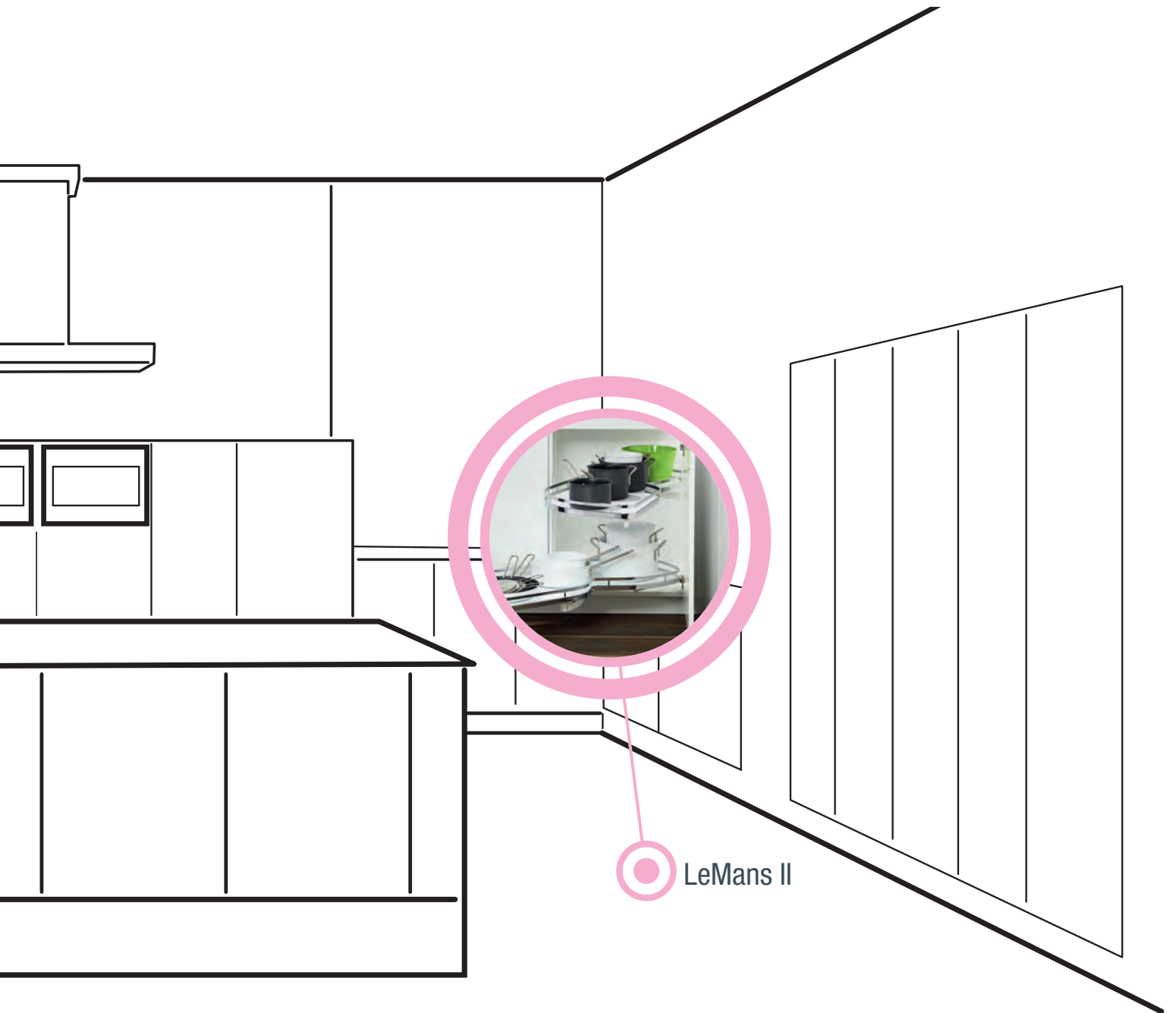
- Full access to all the contents by turning the trays.
- No need to clear away front items to reach items at the back.
- Excellent overview of all the contents.
- Well-organized thanks to a perfect overview.





”

KESSEBÖHMER CORNER CABINETS



Thanks to Kesseböhmer, corner units have taken a turn for the better. They are now firmly established as classic storage areas in a kitchen plan.

A corner unit is the ideal place to store pots and pans, mixers and other kitchen equipment. And development engineers have come up with a lot of alternatives to the classic corner carousel.

LeMans II

OPTIMAL FUNCTIONALITY FOR
FASCINATING EASE OF USE



LeMans offers up to

70%

more storage area
than a base unit with pull-out
drawers next to the blind corner!

WHY USING THE CORNER IS ALWAYS BETTER THAN LEAVING A BLIND CORNER

In addition, the clever design of the trays is an ideal fit for pots and pans, so that the actual, usable space increases by up to 70 %.

Customer demo: put as many pots and pans into a drawer/LeMans tray as will fit comfortably side-by-side (do not stack). Note: contents can even extend beyond the railing of a LeMans adding to space savings and flexibility.

Use of the available space is clearly better and more efficient in a LeMans.

Example



Use of available space
Benefit

1x saucepan Ø 25 cm
1x pan Ø 25 cm
2x saucepan Ø 15 cm
2x pans Ø 15 cm

1x saucepan Ø 25 cm
1x pan Ø 25 cm

1,688 cm²
170 %

981 cm²
100 %

→ Up to 70 % more storage space in a LeMans

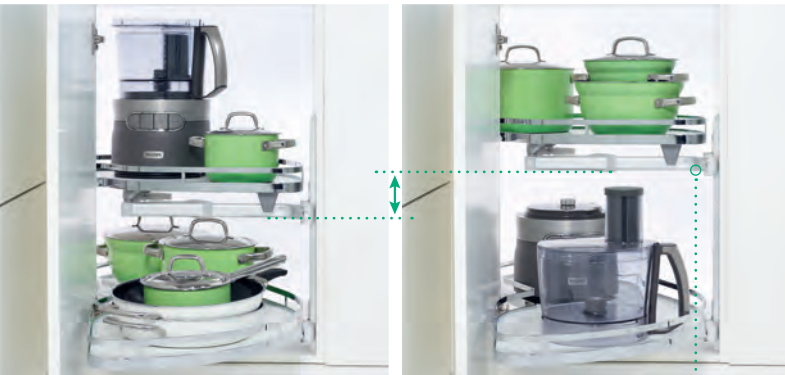
LeMans II – SWINGS THE CONTENTS OUT IN FRONT

KESSEBÖHMER

ClickFixx for ultra-easy,
errorproof assembly



With the door opened only 85°,
the trays will run out completely



Newly designed fitting with
height-adjustable trays

Where is the connection between the Le Mans racetrack and Kesseböhmer's LeMans intelligent corner unit solution? It is their instantly recognisable shape and function. Efficiency, innovation and high emotional content are always in the foreground.

With Kesseböhmer's LeMans II, the success story surges ahead with new features and innovations. The intelligent corner unit system is setting new standards with new engineering quality and fascinating movement sequences.

LeMans II



UP TO
50KG LOAD
CAPACITY

LeMans is an extremely robust storage system with a load capacity of up to 25kg per tray. Damped self-closing means whisper-quiet closing even fully loaded. The patented 4-arm articulation system swings the trays out of the cabinet in a smooth and fluid movement. Users select tray heights to suit their needs and cut out wasted space. With optimal access at all times, LeMans makes perfect use of corner space!

25kg =  





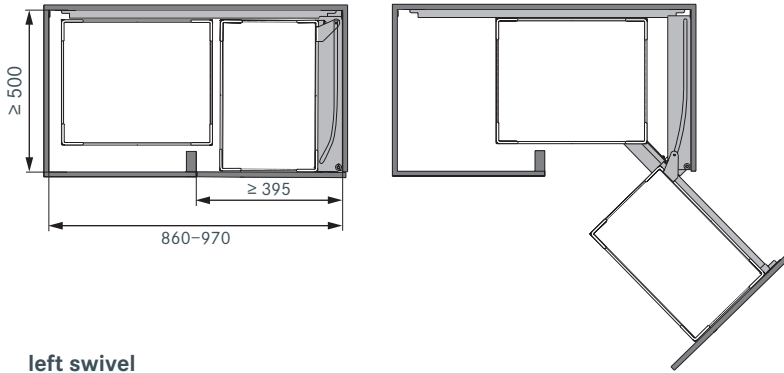
MagicCorner – A BRILLIANT SOLUTION FOR CORNER SPACE

The name says it all. Although this has less to do with magic than with cleverness and technical refinement!

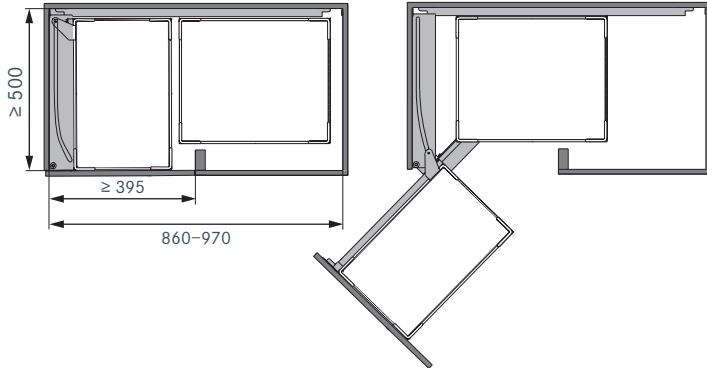
MagicCorner is capable of housing two complete cabinet equipments beside each other in only one corner cabinet.

With one movement, the intelligent sliding technology simultaneously drives the front and the pullout rack into the users viewing and access area. As one would expect of Kesseböhmer, this occurs in a flowing, silent train of motion. Closing even nearly functions by itself. A small push is sufficient – then SoftSTOPP takes care of closing. Quiet and smooth.

right swivel



left swivel



Tray Set ARENA style

Gallery bright chrome, bottom ice white with anti-slip coating

number of trays	set no.
2+2	2604000005
dimensions of trays (mm)	
frontside:	295x470x75
backside:	390x470x75

Frame Sets ARENA style

all components in brilliant white

Alignment	set no.
right swivel	2604019966
left swivel	2604029966

Frame sets components complete with pull-out
 Incl. damping system SoftSTOPP. Inside cabinet height min. 540 mm
 Set components complete with mounting template
 Max. load capacity per rear shelf = 9 kg
 Max. load capacity per front shelf = 7 kg

Standard with:



ARENAplus
 anti-slip finish

Your Benefit:

- Amazing technology: The opening movement brings the front section of the unit out in front of the unit, while the back section moves forward for optimal access and ergonomics
- Rectangular trays for rectangular cabinets: very good use of space
- ClickFixx – toolless assembly and simple adjustment

MagicCorner – wizardry for your corner cupboard



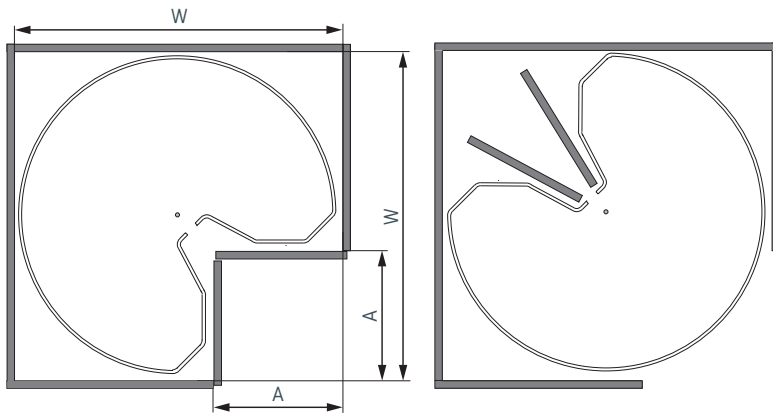


REVO 90°: USER-FRIENDLY CORNER UNIT SOLUTION WHERE FRONT PANELS TURN WITH THE CAROUSEL

 KESSEBÖHMER

Mechanically this system is engineered to ensure a totally controlled movement sequence – the doors fold gently away, the carousel rotates smoothly, the doors close automatically. With rotational damping and REVOfit, it is a pleasure to watch.

With REVOfit, the closing speed can be adjusted quickly and toollessly. Steplessly adjustable trays let users make good use of the storage space.



Cabinet Dimension

(mm)	900
W	≥ 850
A	321–339

Your Benefit:

- The front panel slides into the cupboard as it opens
- Stepless tray height changes: Optimal use of space – ideal for tall pots and kitchen machines
- Closing speed can be customised at any time
- Simplifies planning, assembly and logistics
- Combines mature technology with innovative details
- Transparency thanks to rotating trays

REVO 90° – round solution for square corners

REVO 90

Set consisting of:

**Part 1
Frame**

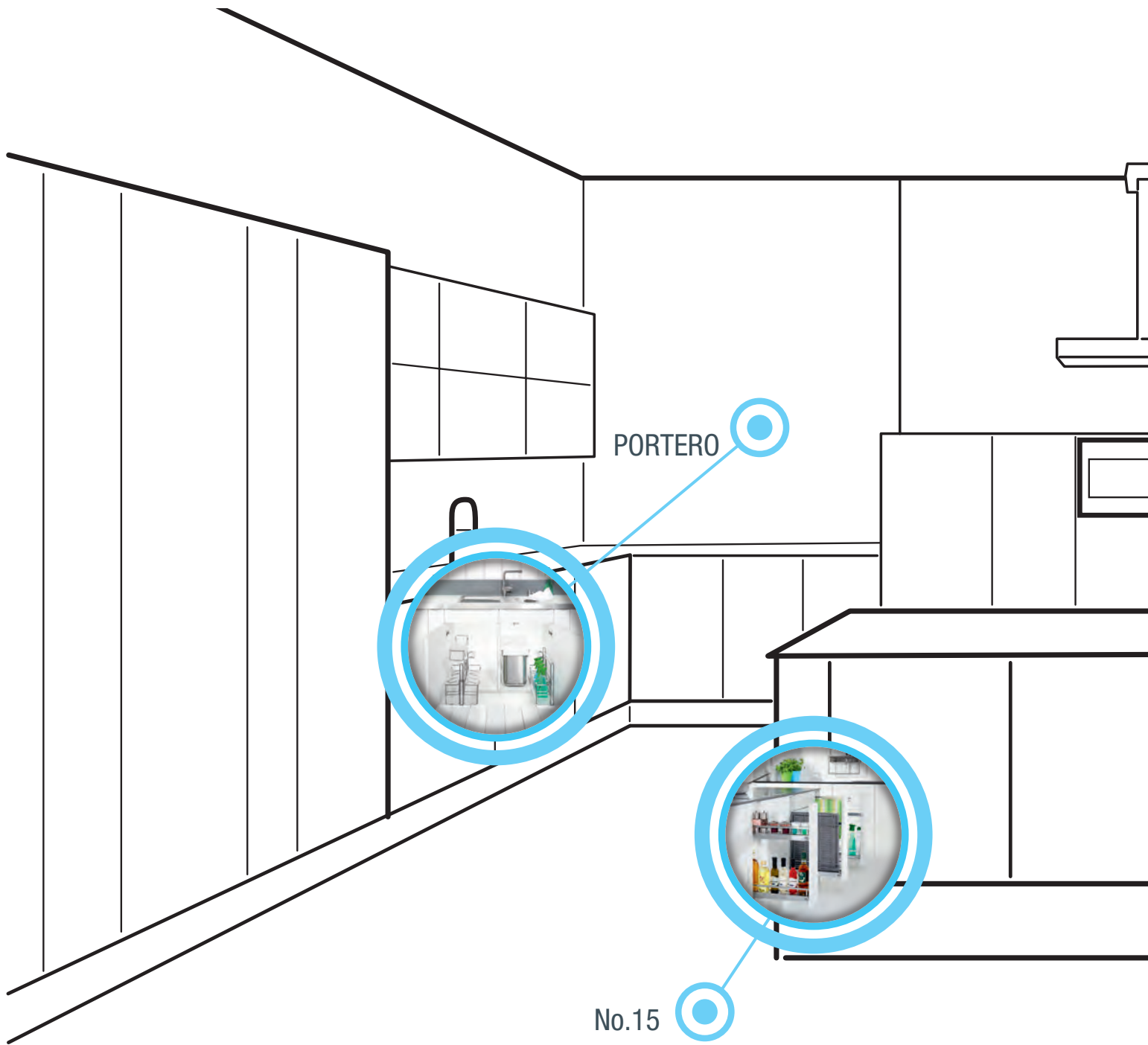
Inside cabinet width (mm)	Cabinet width (mm)	Colour gallery/bottom	Art. No.
900	932	Chrome/Ice White	260566 0005

Inside cabinet height ≥600 mm

**Part 2
Tray set ARENA style
2 trays**

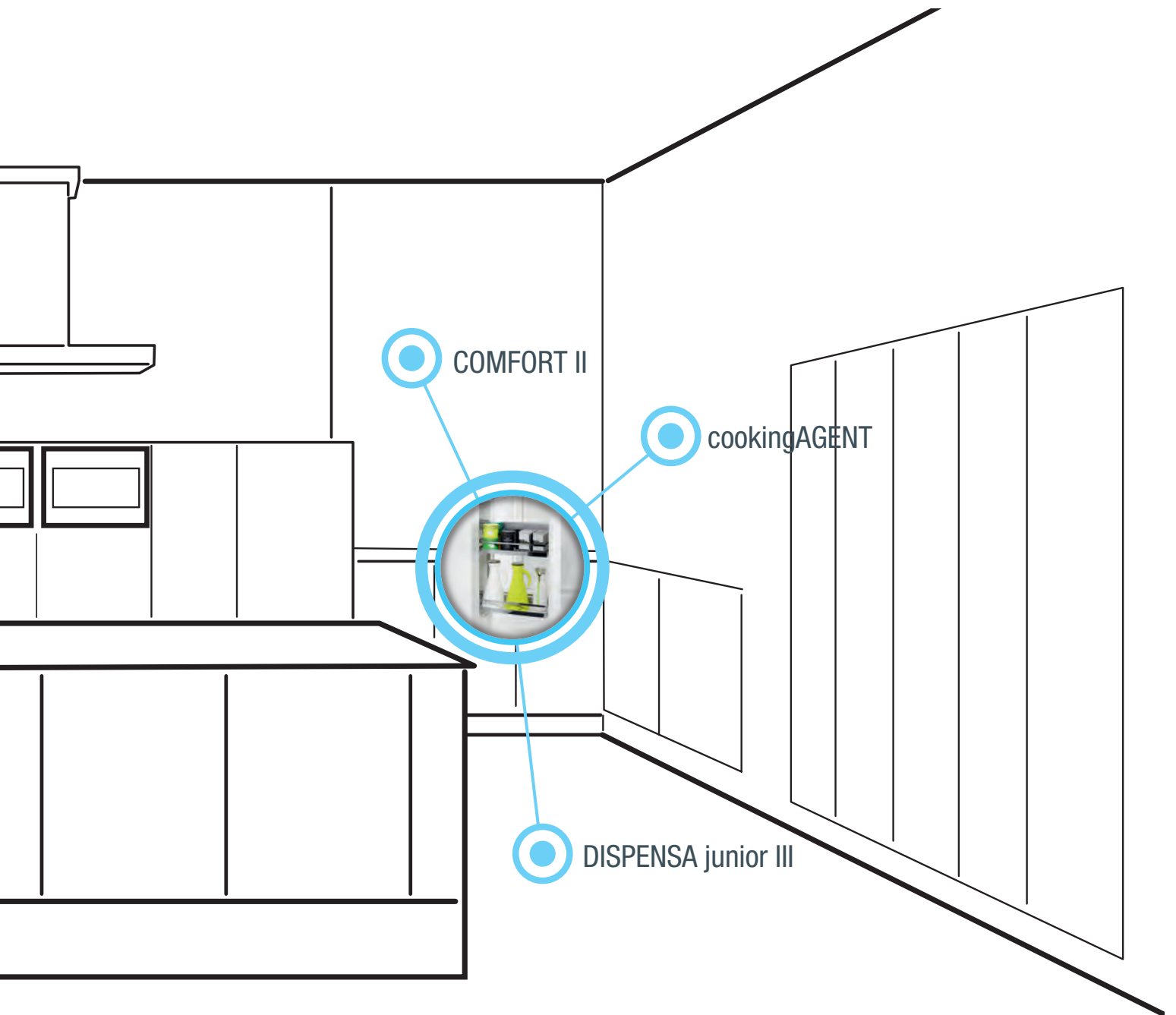
Damping system SoftStoppPlus, adjustable closing speed.





”

KESSEBÖHMER BASE CABINETS



To make intelligent use of the whole width of a kitchen, you need a fitting that moves the stored items out in front of the cabinet – so that you have a clear view and easy access. Regardless of whether you want to store cleaning agents, a mixer, or a pressure cooker, the most practical solutions are content-specific pull-outs. They make best use of the available space and guarantee easy access.



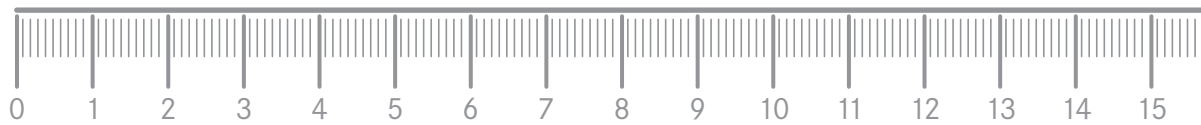
No.15 USE THE NARROWEST NICHES

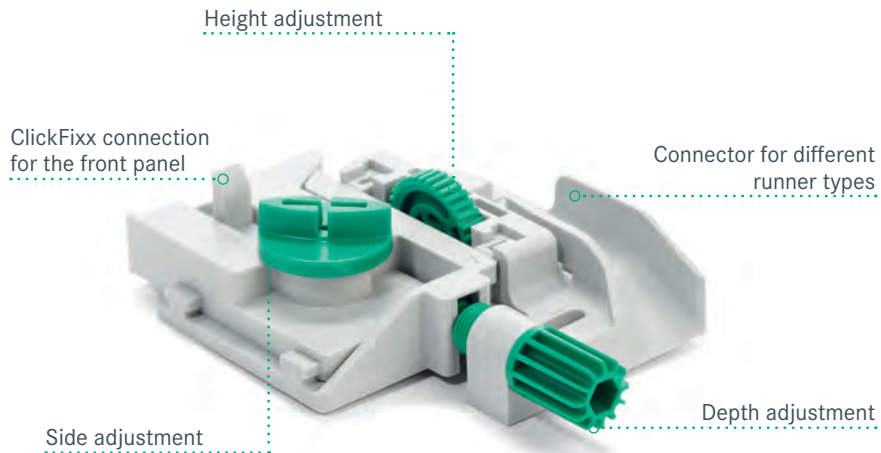
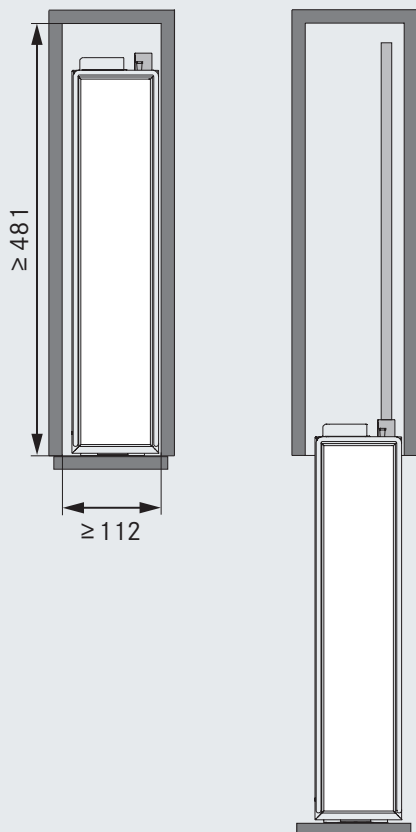
 KESSEBÖHMER

Good
ideas

fit in everywhere. With its Kesseböhmer pullouts, the No.15 cabinet is much more than just a welcome filler. When placed by

the oven, the No.15 pullouts are the convenient solution for spices or the indispensable towel. The high quality chrome equipment lends even these smallest cabinets in the kitchen that special touch of elegance.





Your Benefit:

- Larder unit solutions for carcass widths from 150 mm
- A lot of space for spices, towels and trays
- Make practical use of even narrow gaps
- A slim pull-out: Minimum width (from 112 mm) – maximum flexibility
- 3D front adjustment: Perfect gap alignment in minutes

No. 15 Narrow unit – substantial benefits

No. 15 - Bottle pull-out style

Set consisting of:

Part 1 Frame

Inside cabinet width (mm)	Cabinet width (mm)	Colour gallery/bottom	Art. No.
112	150	Chrome/Ice White	233461 0005
		Anthracite/Anthracite	233461 9846

Inside cabinet height ≥ 540 mm

No. 15 - Towel pull-out style

Set consisting of:

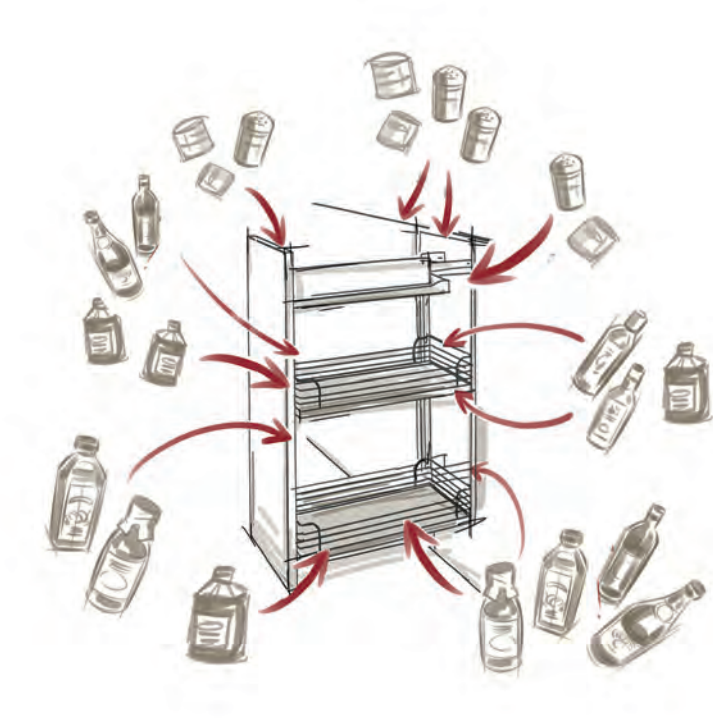
Part 1 Frame

Inside cabinet width (mm)	Cabinet width (mm)	Colour gallery/bottom	Art. No.
112	150	Chrome/Ice White	233461 0005
		Anthracite/Anthracite	233461 9846

Inside cabinet height ≥ 590 mm

The high quality chrome equipment lends even these smallest cabinets in the kitchen that special touch of elegance.





COMFORT II – THE SPECIALIST IN GREAT TASTE

 KESSEBÖHMER

Ultra-easy ClickFixx connection between frame and runner, simple 3D fine adjustment for the front panel, absolutely smooth action, efficient use of space thanks to height-adjustable trays – that's the COMFORT II.

The compact 30-cm base unit pull-out lets users fill every centimetre and customise the pull-out to suit their special requirements. The COMFORT II is ideal for storing cooking ingredients; it provides an amazing amount of storage space plus a clear view of all the contents. The pull-out glides softly and smoothly out in front of the cabinet. Everything needed for a great meal is instantly ready to hand.

Kesseböhmer has added the option of a Utility Tray to its tried-and-tested COMFORT II pull-out. The Utility Tray is the perfect add-on for the COMFORT concept. The Utility Tray is made of a single piece of shaped, powder-coated metal. It was designed to be as deep as possible, but still allow a clear view and easy access to vinegars and oils and other items stored in the lower trays. It offers an amazing amount of storage space to take a lot of container jars.

It's surprising how much space there is in the pull-out and how flexibly it can be used.



Comfort II · 2-tier

Inside cabinet width (mm)	Cabinet width (mm)	Colour gallery/bottom	Alignment	Art. No.
193	250	Chrome/Ice White	left	260816 0005
			right	260817 0005
		Anthracite/Anthracite	left	260822 9846
			right	260823 0005
261	300	Chrome/Ice White	left	260820 0005
			right	260821 0005

Inside cabinet height ≥ 590 mm

Comfort II · 3-tier

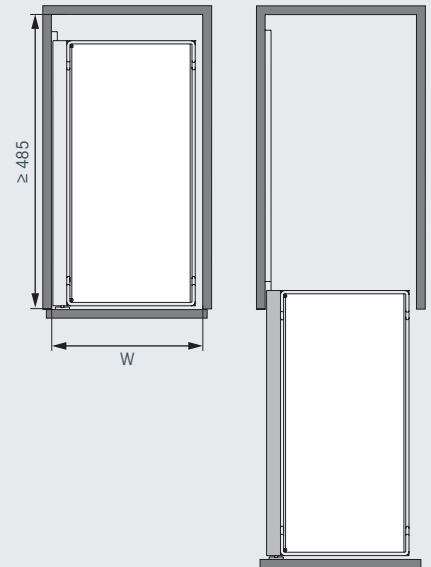
Inside cabinet width (mm)	Cabinet width (mm)	Colour gallery/bottom	Alignment	Art. No.
193	250	Chrome/Ice White	left	260814 0005
			right	260818 0005
261	300	Chrome/Ice White	left	260815 0005
			right	260819 0005

Inside cabinet height ≥ 686 mm

Utility Tray	Dimensions (mm)	Art. No.
	BxDxH	
	79 x 133 x 76	
	Space:	
	476 x 103	
Utility Tray Anthracite		015277 9846
Utility Tray Ice white		015277 9966



Right version shown





DISPENSA JUNIOR SLIM

SMALL.
STRONG.
CLEVER.

**The Junior slim in the Dispensa range
is a master of small recesses.**

Starting from a width of just 200 mm, this modern base unit pull-out provides a perfect view of the stored goods and access from either side. The outstanding stability comes from the centrally guided fitting. Even in the smallest units, individuality is a priority.

Which is why the Dispensa junior slim comes with lots of planning freedom with all the ARENA tray variations. The “everything at your fingertips” effect is rounded off intelligently by the modular YouboXx fittings.

This is orderliness without searching.

DISPENSA junior slim

Set consisting of:

Part 1

Frame

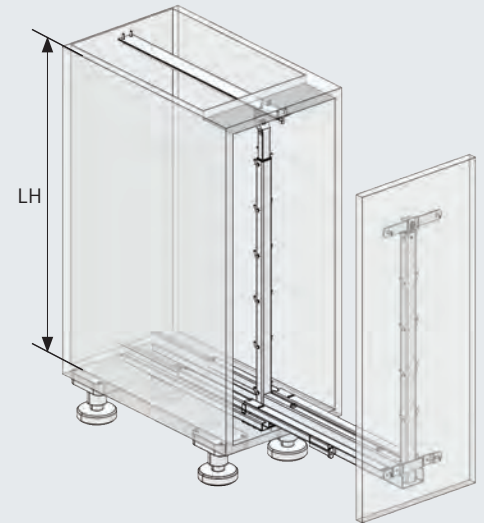
Inside cabinet height 640-728 mm

Part 2

Tray set ARENA style · 2-tier

2 shelves

Inside cabinet width (mm)	Cabinet width (mm)	Colour gallery/bottom	Art. No.
162	200	Anthracite/Anthracite	260633 9846
262	300	Anthracite/Anthracite	260634 9846
362	400	Anthracite/Anthracite	260635 9846



Youbox_x Set 1 (optional)

005273 9966

Consisting of:	WxDxH
2 boxes (1.0 L)	115 x 150 x 95
1 box (2.1 L)	115 x 300 x 95
2 boxes (2.0 L)	115 x 150 x 195
1 slotted knife block	
2 lids	
2 traverse rails	

Lid and divider elements white.



Youbox_x Set 3 (optional)

005275 9966

Consisting of:	WxDxH
2 boxes (1.0 L)	115 x 150 x 95
2 boxes (2.1 L)	115 x 300 x 95
2 lids	
1 divider, large	
2 traverse rails	

Lid and divider elements white.



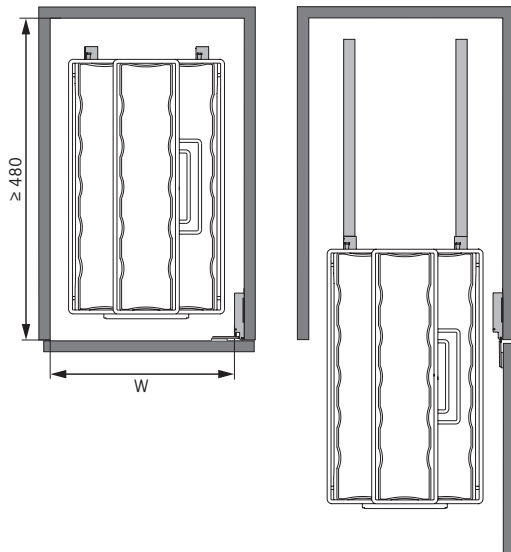
Youbox_x Set 5 (optional)

005277 9966

Consisting of:	WxDxH
1 chopping board holder	
2 boxes (1.0 L)	115 x 150 x 95
1 box (2.1 L)	115 x 300 x 95
2 boxes (2.0 L)	115 x 150 x 195
1 slotted knife block	
2 lids	
2 traverse rails	

Lid and divider elements white.





Your Benefit:

- All cleaning agents in a lift-out basket in a pull-out unit
- Top tray swivels aside
- Lift-out service station
- Removable washing-machine-safe plastic trays

PORTERO – makes cleaning that much easier!

PORTERO Set I

All components bright chrome/silver

inside cabinet height (mm)	cabinet width (mm)	baskets	set no.
≥ 400	200	1	261100005



PORTERO Set II

All components bright chrome/silver

inside cabinet height (mm)	cabinet width (mm)	baskets	set no.
≥ 400	300	2	261101005

1 portable basket and 1 basket without handle



PORTERO Set III

All components bright chrome/silver

inside cabinet height (mm)	cabinet width (mm)	baskets	set no.
≥ 511	300	3	261102005

1 portable basket, 1 basket without handle and 1 swivel basket

Set components complete with system base, dividers and drilling template.





WELL-ORGANISED FOR GOOD COOKING: cookingAGENT.

KESSEBÖHMER

It's the modular design that makes a cookingAGENT so versatile and flexible. Users choose the elements they want – and how to organise them. cookingAGENT has space for everything – spices, oils and sauces, chopping boards, knives, even plates and bowls. It's every cook's dream – everything you

need is right where you need it as you cook. cookingAGENT is a true full-extension pull-out that moves all the contents completely out in front of the cabinet. What could be better?

interior
innovation
award

Winner

Streamlined wire surround, one-piece base

Modular design. Arrange and change elements.

All plastic elements dishwasher safe and detachable for easy cleaning.



Standard with:



cookingAGENT

Set consists of:

- 1 system carrier for bottom mounting
- 3 lift-out metal baskets
- 5 lift-out plastic containers
- 1 handle (for inside pull-out)
- 8 dividers
- 1 accessory bag mounting plate
- 1 accessory bag front connectors (for pull-out front panel)

Pull-out, bottom-mounted

Dimensions (mm)

Art. No.

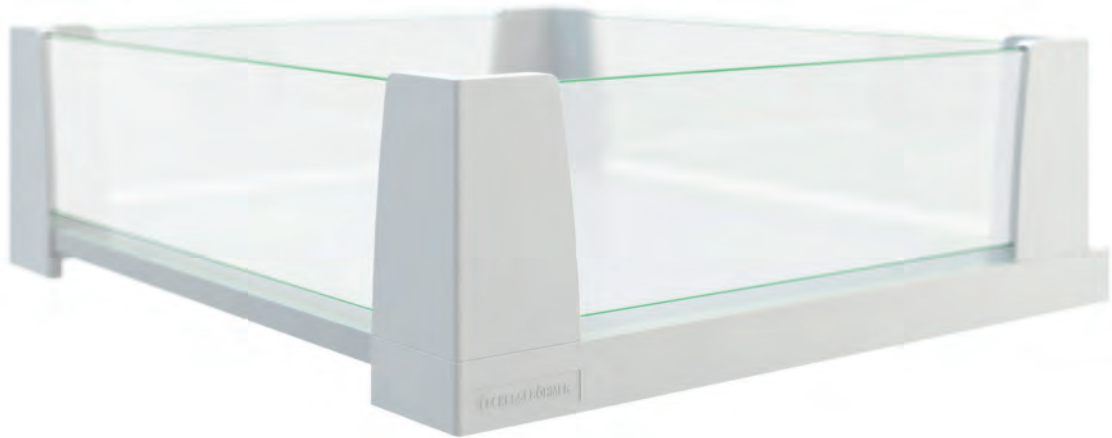
BxDxH

260 x 489 x 625 **0252350102**



REDUCED TO THE MAX

— THE ABILITY TO ORGANIZE —



The kitchen is the culinary centre, but it's not the only part of your home that has to meet escalating demands for design, ergonomics, storage space and functionality. Creating a system that is right for any size of room requires creative flexibility in planning and an innovative look – with functionality and style that is right for any area of your home, even wet rooms.

MiO does it all. It's a system of pull-outs for base units, wardrobes, cabinets and beyond developed by Kesseböhmer that successfully blends contemporary design with optimal functionality. Modularity lets you configure custom pull-out solutions to optimize your storage.

It lets you make optimal use of your storage space, with effortless pull-out action, fantastic design and the latest technology – Designed in Germany.

FEATURES & BENEFITS:

- For carcass widths 400 to 900 mm
- High-end look with glass panorama sides as standard
- Modular organization systems for plateware, cookware and cutlery
- Organizable storage for kitchens, bathrooms and living areas
- Easy to clean and care for
- Choice of widths and heights for versatile solutions
- Modern runner technology with easy, effortless action
- balancePRO to compensate for cabinet tolerances



MiO Applications

INDIVIDUAL, VERSATILE AND VARIABLE.

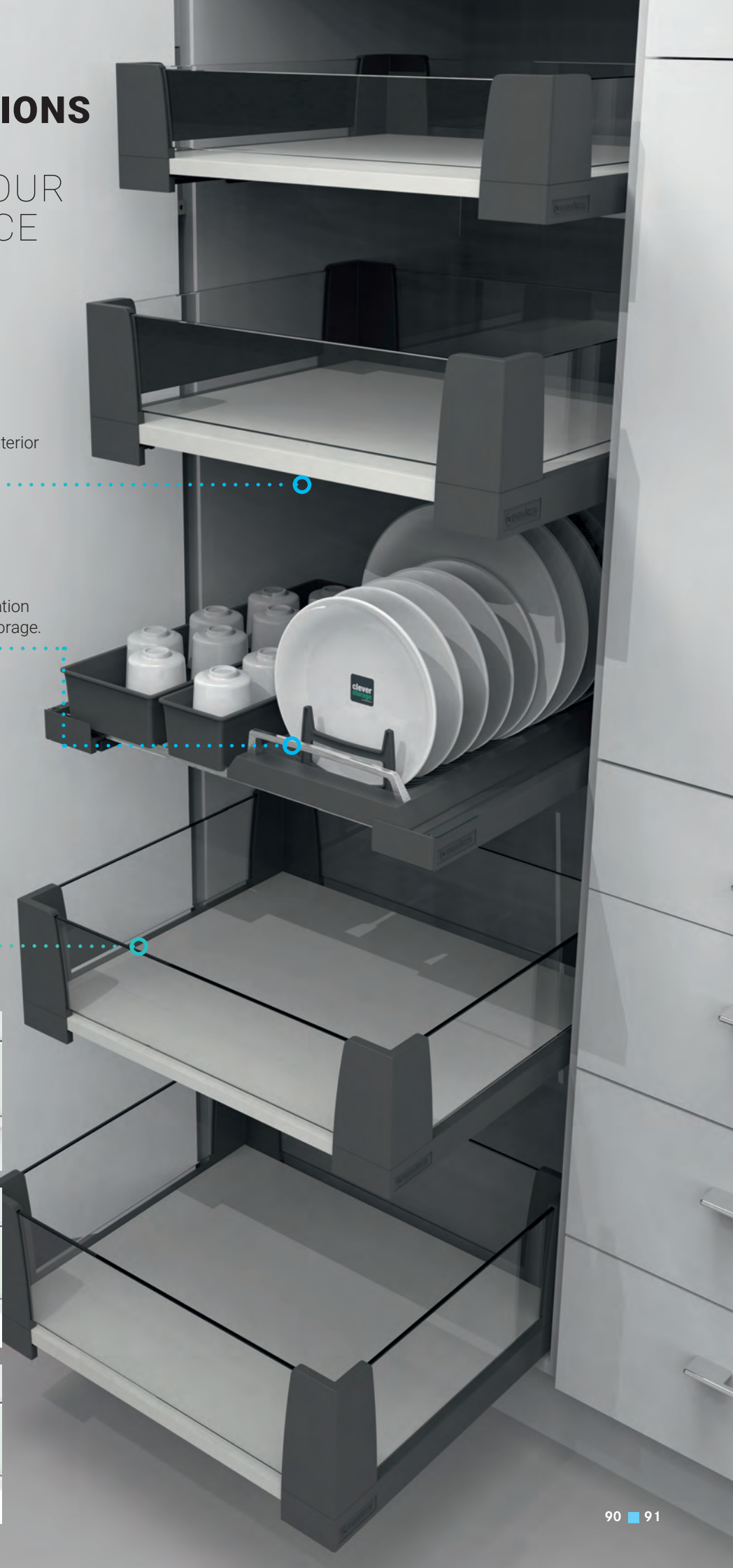
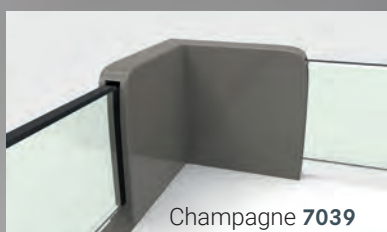
MiO APPLICATIONS

CUSTOMIZE YOUR STORAGE SPACE

Freely combinable with MiO interior and organization pullouts.

Individually compiled organization pullout for optimum dishes storage.

High-end look with glass panorama front and sides as standard.



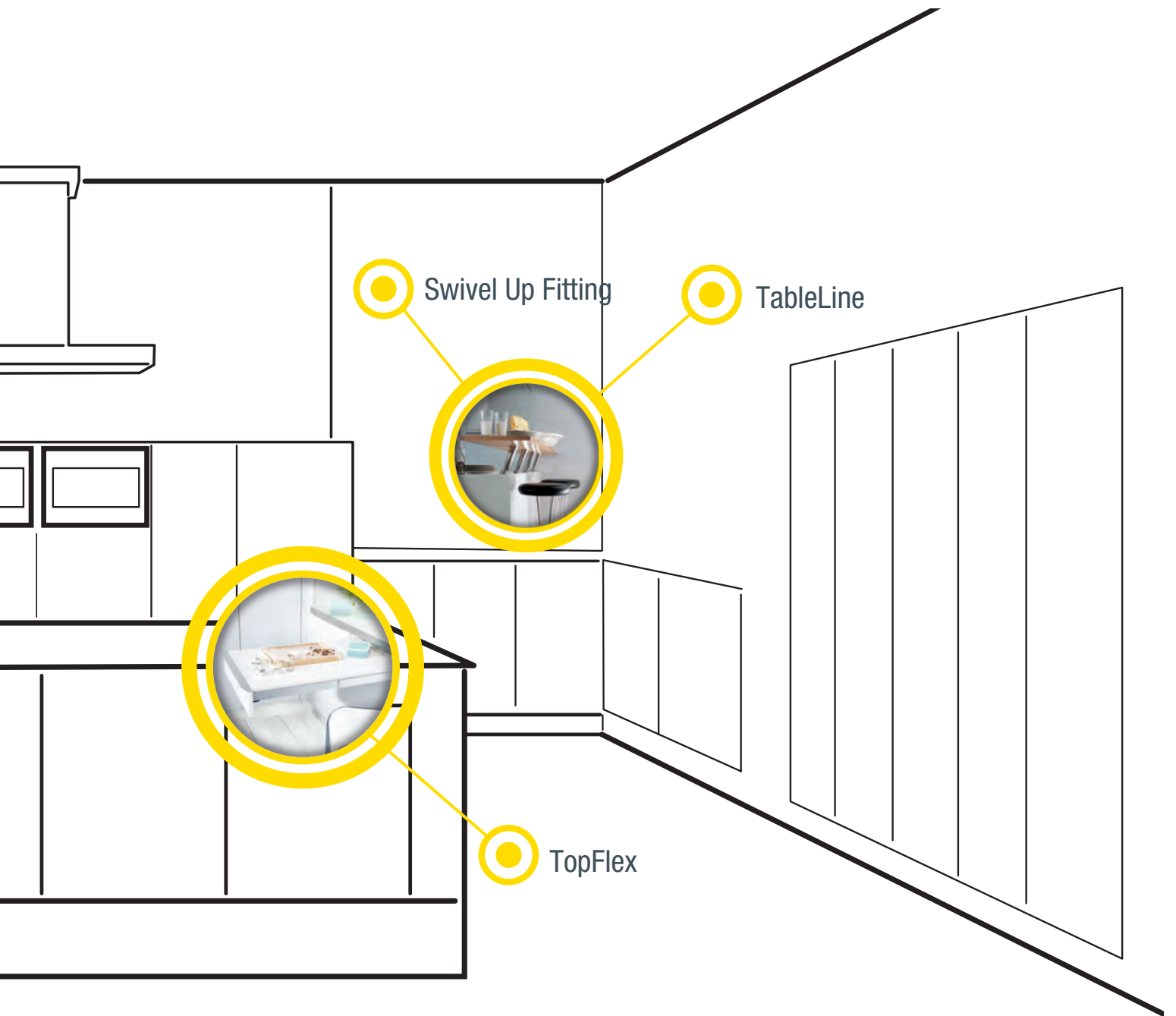
iMove



LINERO MosaiQ



**KESSEBÖHMER
ACCESSORIES & SP**



Totally practical! Who would not want to cook like a professional? A well-equipped, professional looking kitchen is a step in the right direction. It should combine practicality with stylish design.

PECIALS

iMove

INTELLIGENT MOVEMENT

KESSEBÖHMER



The iMove fills a gap in the market and its potential for success is based on the law of supply and demand. Before starting development on the iMove, we commissioned extensive research on how people use wall units. The results were clear.

What most people store in their wall units is

1. Crockery and glasses
2. Food, including oils, spices, nibbles and treats.

The iMove was purpose-designed for perfect storage of these

two categories. The basic idea is to split storage functionality between the fixed bottom shelf and the mobile iMove upper shelves. It makes sense to store heavy stacks of plates, for example, on the lower shelf of a wall unit and store the lighter food items, like packets of cereal, at the top in the iMove. It's a logical arrangement and both sorts of items are easy to reach.





iMove · Single Tray

Installation situation

Dimensions (mm)	Hinged door	Hinged door	FREEfold
Hinge protrusion	< 25	> 25	-
Installation height, hinge	65	65	-
Installation depth, iMove	57	57	82
Installation height, iMove	25	80	25
* Carcase heights vary with the individual installation situations.			
Clear inside depth, carcase	270	270	295
Minimum height, carcase*	520	580	650

iMove set single tray

Including fixings:

8 x wood screws 4.5 x 50 mm

1 x drilling template

including side cover caps



Carcase width (mm)	Clear inside width (mm)	Dimensions B x D x H (mm)	Colour	Art. no.
600	562-568	565 x 267 x 380	Silver	235202 0102
			Anthracite	021702 9846

900	862-868	865 x 267 x 380	Anthracite	021706 9846
-----	---------	-----------------	------------	--------------------



iMove · Double Tray

Installation situation

Dimensions (mm)	Hinged door	Hinged door	FREEfold
Hinge protrusion	< 25	> 25	-
Installation height, hinge	65	65	-
Installation depth, iMove	57	57	82
Installation height, iMove	25	80	25
* Carcase heights vary with the individual installation situations.			
Clear inside depth, carcase	270	270	295
Minimum height, carcase*	710	770	710

iMove set double tray

Including fixings:

8 x wood screws 4.5 x 50 mm

1 x drilling template

including side cover caps



Carcase width (mm)	Clear inside carcase width (mm)	Dimensions (mm) B x D x H	Art. no.
600	562-568	565 x 267 x 565	2352030102





LINERO MosaiQ

VERSATILE, VARIABLE, EYE-CATCHING DESIGN

 KESSEBÖHMER



LINERO MosaiQ is flexible and versatile, offering users a huge choice for configuring the space between the worktop and the wall units. The multi-functional, anodised aluminium rail can be either screwed or glued to the wall, making it ideal for glass splashbacks too. Used as a light strip, it casts a warm-toned, indirect light over the attached elements.

The MosaiQ shelf elements are hung on below the rail or clipped on above it. The shelf elements come in a choice of three heights and two widths. Horizontal strips on the shelf elements accentuate the design. The three sophisticated grey tones of the

matt, tactile coating were chosen in consultation with experts at a well-known design institute. Functional elements include various hooks and single and double roll holders. There is also a specially designed knife block and holders with an angled bases, for example, to take a pot of herbs. LINERO MosaiQ has been launched with ten core applications which users can mix and match as they please. It's the perfect way to make the most of the midway space in kitchens and bathrooms. LINERO MosaiQ elements and LINERO 2000 elements are compatible when they are attached below the rail.

	Dimensions (mm)	Art. No.
Aluminium rail set		
LINERO MosaiQ		
1 aluminium rail	BxDxH	
2 end caps	600 x 32.9 x 41.5	0089009845
1 connector	900 x 32.9 x 41.5	0089019845
Connectors to screw onto wall	1,200 x 32.9 x 41.5	0089029845
	1,500 x 32.9 x 41.5	0089039845



Universal shelf 140	BxDxH	
LINERO MosaiQ	350 x 110 x 140	0089129844
	Storage area:	
	350 x 107	



Universal shelf 200	BxDxH	
LINERO MosaiQ	350 x 110 x 200	0089139844
	Storage area:	
	350 x 107	



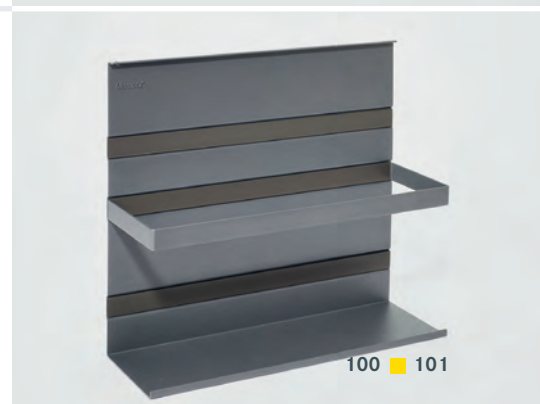
Universal shelf 300	BxDxH	
LINERO MosaiQ	350 x 110 x 300	0089149844
	Storage area:	
	350 x 107	



Universal shelf 200 with rail	BxDxH	
LINERO MosaiQ	350 x 110 x 200	0089189844
	Storage area:	
	350 x 107	



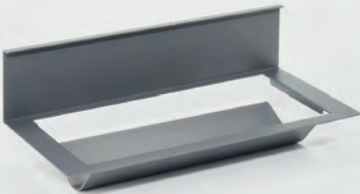
Universal shelf 300 with rail	BxDxH	
LINERO MosaiQ	350 x 110 x 300	0089199844
	Storage area :	
	350 x 107	





Art. No. Dimensions (mm)

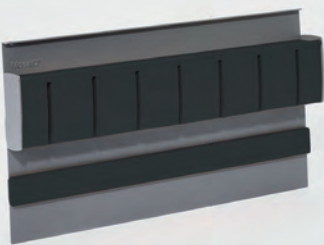
0089279844 BxDxH **Memo board 300**
350 x 110 x 300 **LINERO MosaiQ**
Storage area: Magnetic blackboard
350 x 107 (glass surface with shelf, holds magnets, wi-
pe-clean)



0089089844 BxDxH **Paper roll holder**
350 x 155 x 120 **LINERO MosaiQ**
for kitchen paper rolls up to 295 mm wide



0089099844 BxDxH **ROLLINERO foil roll holder**
350 x 110 x 300 for clingfilm and foil rolls up to 330 mm
wide



0089069844 BxDxH **Magnetic knife block**
350 x 45 x 200 **LINERO MosaiQ**
Finish: Plastic, black/grey



0089109003 BxDxH **Container/herb pot**
135 x 135 x 156 **LINERO MosaiQ**
incl. removable dividers
Material: ABS, UV-resistant, food safe
and dishwasher safe

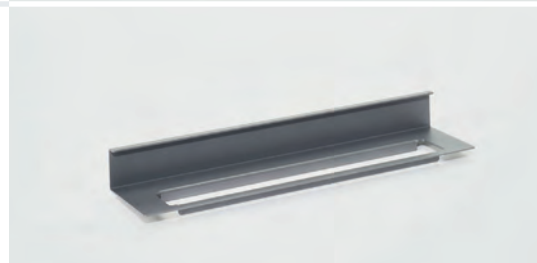


0089119003 BxDxH **Shallow dish**
116 x 115 x 56 **LINERO MosaiQ**
Material: ABS, UV-resistant, food safe
and dishwasher safe

	Dimensions (mm)	Art. No.
Top-mounted towel rail LINERO MosaiQ insert from above	BxDxH 350 x 77 x 10	0089209844



Towel rail LINERO MosaiQ insert from below	BxDxH . 350 x 77 x 46	0089219844
--	--------------------------	-------------------



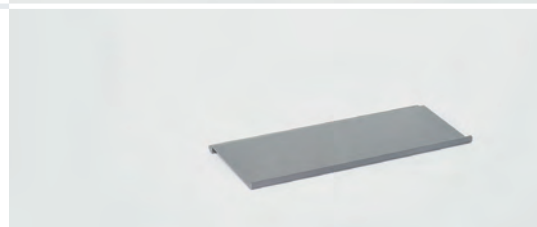
Double hook LINERO MosaiQ	BxDxH 85 x 44 x 38	0089229844
--	-----------------------	-------------------



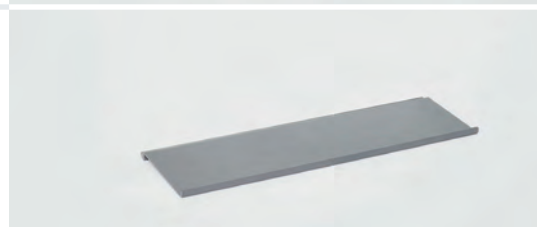
Hook strip LINERO MosaiQ	BxDxH 250 x 44 x 38	0089239844
---	------------------------	-------------------



Top-mounted shelf 235 LINERO MosaiQ insert from above	BxDxH 235 x 107 x 8	0089249844
---	------------------------	-------------------



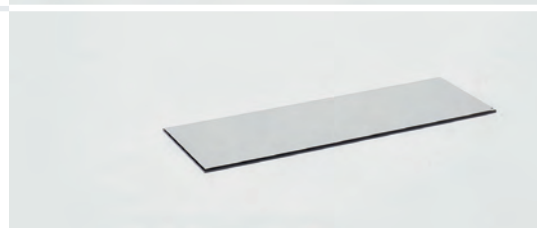
Top-mounted shelf 350 LINERO MosaiQ insert from above	BxDxH 350 x 107 x 8	0089259844
---	------------------------	-------------------



Top-mounted shelf 585 LINERO MosaiQ insert from above	BxDxH 585 x 107 x 8	0089269844
---	------------------------	-------------------



Shelf insert, smoked glass LINERO MosaiQ Available in a choice of widths to fit shelf elements	BxDxH 235 x 106.5 x 4 350 x 106.5 x 4 585 x 106.5 x 4	0089310000 0089320000 0089330000
---	--	---





FineLine LiniQ

PERFECTION IS IN THE DETAIL



MULTIFUNCTIONAL INSERTS







F = options for inserting functional elements

Example: 009204 0378 (cutlery insert 1000-1200 mm width)

	Dimensions (mm)	Art. no.	
<p>Cross-shaped divider FineLine LiniQ suitable for the multifunctional insert</p> <p>Colour code: Light oak 0369 Nordic ash 0378 Javan ash 0379</p>	<p>WxDxH 137 x 472 x 37.5</p>	<p>009205 0369 009205 0378 009205 0379</p>	
<p>Spice insert, slanted FineLine LiniQ 3-level, suitable for the multifunctional insert</p> <p>Colour code: Light oak 0369 Nordic ash 0378 Javan ash 0379</p>	<p>WxDxH 137 x 472 x 26</p>	<p>009168 0369 009168 0378 009168 0379</p>	
<p>Knife block FineLine LiniQ suitable for the multifunctional insert</p> <p>Colour code: Light oak 0369 Nordic ash 0378 Javan ash 0379</p>	<p>WxDxH 137 x 472 x 26</p>	<p>009169 0369 009169 0378 009169 0379</p>	
<p>Foil dispenser FineLine LiniQ with two aluminium lids suitable for the multifunctional insert</p> <p>Colour code: Light oak 0369 Nordic ash 0378 Javan ash 0379</p>	<p>WxDxH 137 x 472 x 45</p>	<p>009210 0369 009210 0378 009210 0379</p>	

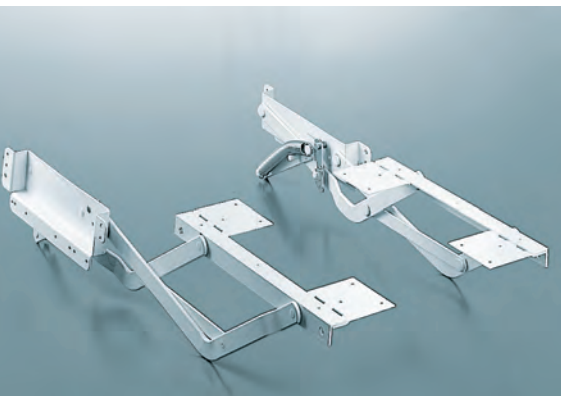
PULL-OUT DIVIDERS

	Dimensions (mm)	Art. no.	
<p>Wooden box with grip holes FineLine LiniQ</p> <p>Colour code: Light oak 0369 Nordic ash 0378 Javan ash 0379</p>	<p>WxDxH 236 x 472 x 120</p>	<p>009171 0369 009171 0378 009171 0379</p>	
<p>Wooden box, square, with grip holes FineLine LiniQ (Note: 2 square wooden boxes equal the depth of a normal wooden box)</p> <p>Colour code: Light oak 0369 Nordic ash 0378 Javan ash 0379</p>	<p>WxDxH 236 x 236 x 120</p>	<p>009172 0369 009172 0378 009172 0379</p>	
<p>Metal divider with grip holes FineLine LiniQ For wooden box</p> <p>Colour code: Graphite black 9844</p>	<p>WxDxH 225 x 99 x 102</p>	<p>009195 9844</p>	
<p>Plate rack adjustable</p> <p>Colour code: Light oak 0369 Nordic ash 0378 Javan ash 0379</p>	<p>WxDxH 340 x 180 x 191</p>	<p>009197 0369 009197 0378 009197 0379</p>	



This range is suitable for front pull-outs!
Because of their partially reduced inside depth,
inside pull-outs must be considered separately.





Swivel Up Fitting

all components in white

installation height
[mm] ≥

for any width

set no.

444

0053009010

usable height: 280 mm
swivel depth: 425 mm
Max. load capacity: 8 kg



Bathroom Pull-out, solid metal towel rail

length [mm]

2-tier

set no.

370

0050650005

Pull-out bright chrome, with cover



EXTRA WORKING SPACE ON CALL: TopFlex.

 KESSEBÖHMER

Tucked neatly away behind a drawer front, this sturdy, cantilevered pull-out table is ready to use whenever you need the extra working space. The two worktop sections pull outwards and upwards to create a highly practical table. And it disappears back into the base unit within seconds.

Worktop extension fitting TopFlex

extended length (mm)	cabinet width (W)
	450–900 mm
	Art. No.
810	2313250102

Set components complete, excluding table panels cantilevered
Max. load capacity: 30 kg

- Applicable for inside cabinet width of 450–900 mm
- Inside cabinet depth = minimum 500 mm

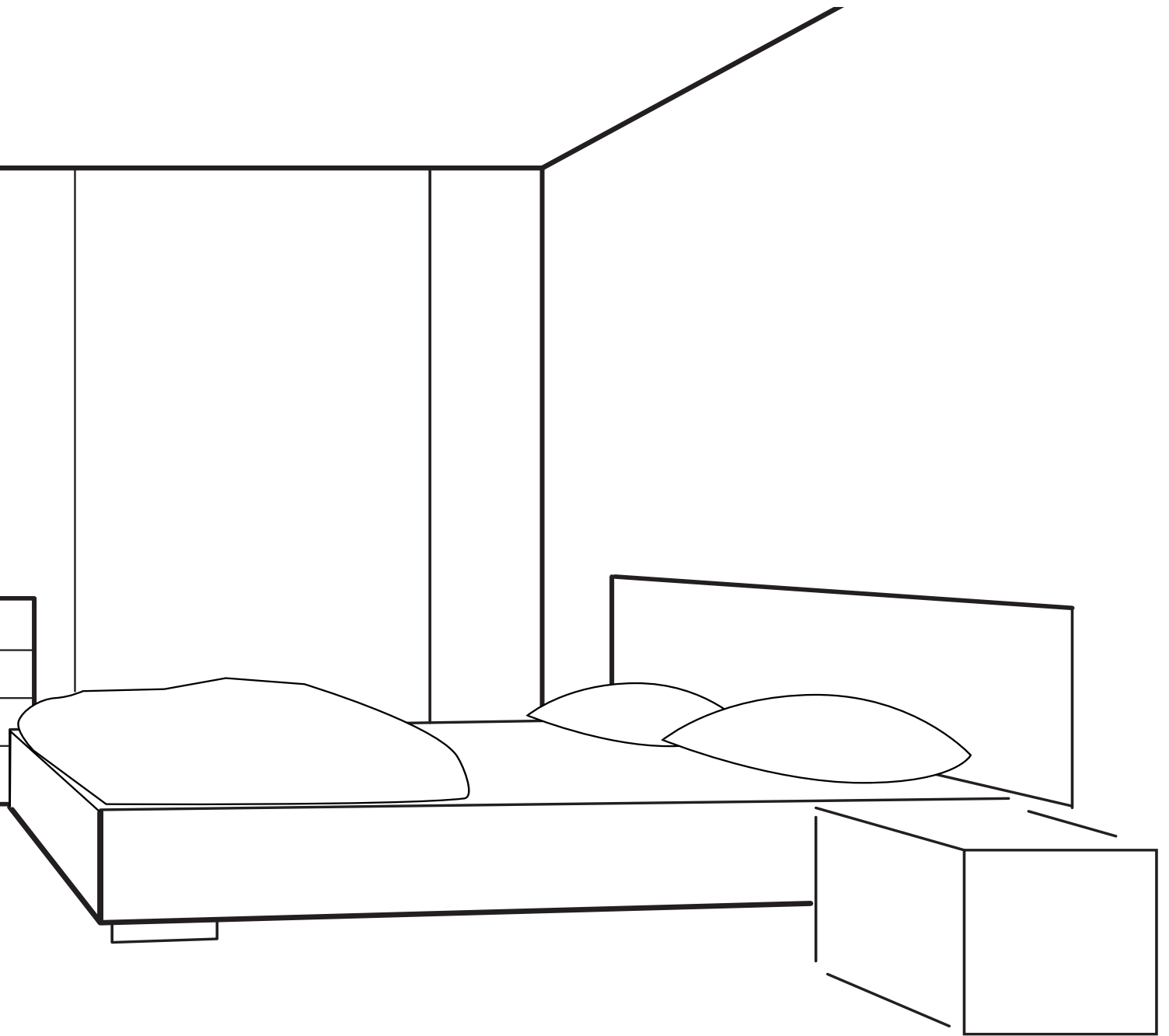


Bedroom solutions

IDEAL product range

”

**KESSEBÖHMER
WARDROBE ACCES**



The system that saves space, and makes for good organisation and quick access. Exclusive design and quality manufacturing!

SORIES



IDEAL pull-out basket

IDEAL pull-out tie rack

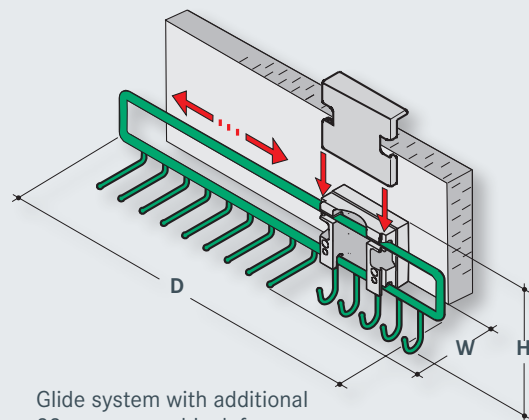
IDEAL pull-out trouser holder

IDEAL product range: FUNCTIONAL WARDROBE SYSTEMS.

 KESSEBÖHMER

Storage solutions:

Combination of fittings from the IDEAL product range



Glide system with additional 22 mm spacer block for installation on the hinged side.

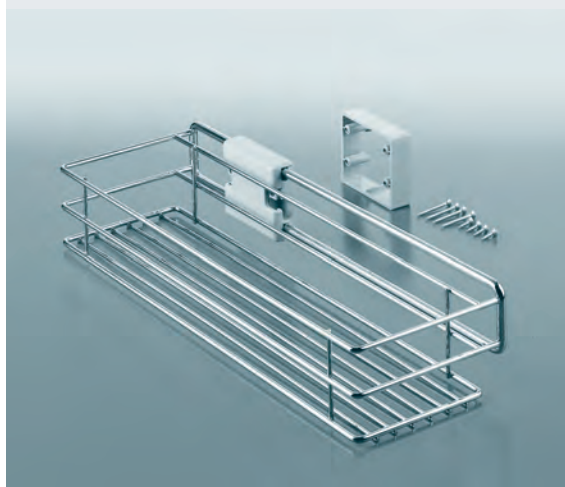
Dimensions (mm) **Art. No.**

Basket pull-out IDEAL

incl. glider and connector

for right and left installation

WxDxH
160 x 455 x 98 **004960005**

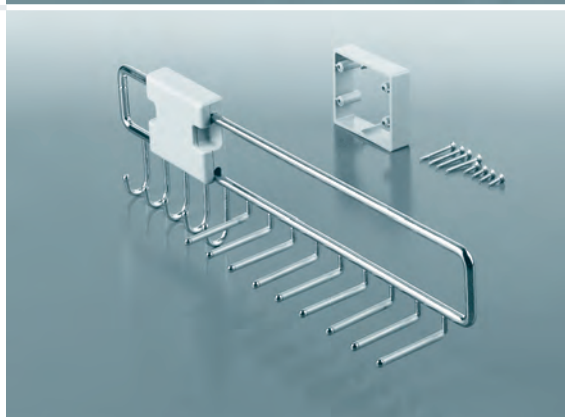


Tie and belt pull-out IDEAL

incl. glider and connector

for right and left installation

WxDxH
74 x 455 x 118 **233500005**

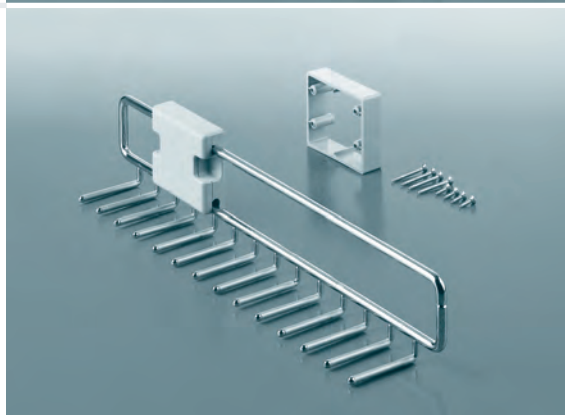


Tie pull-out IDEAL

incl. glider and connector

for right and left installation

WxDxH
74 x 455 x 87 **233499005**

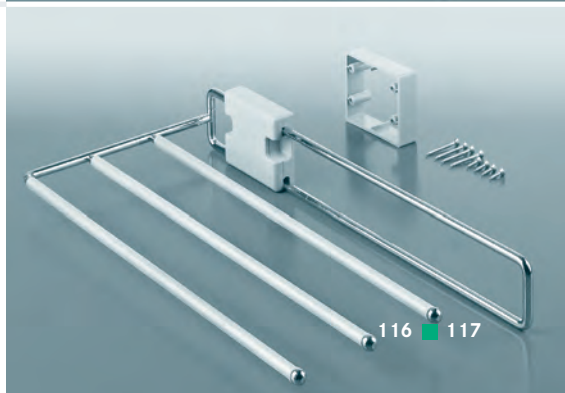


Trousers pull-out IDEAL

incl. glider and connector

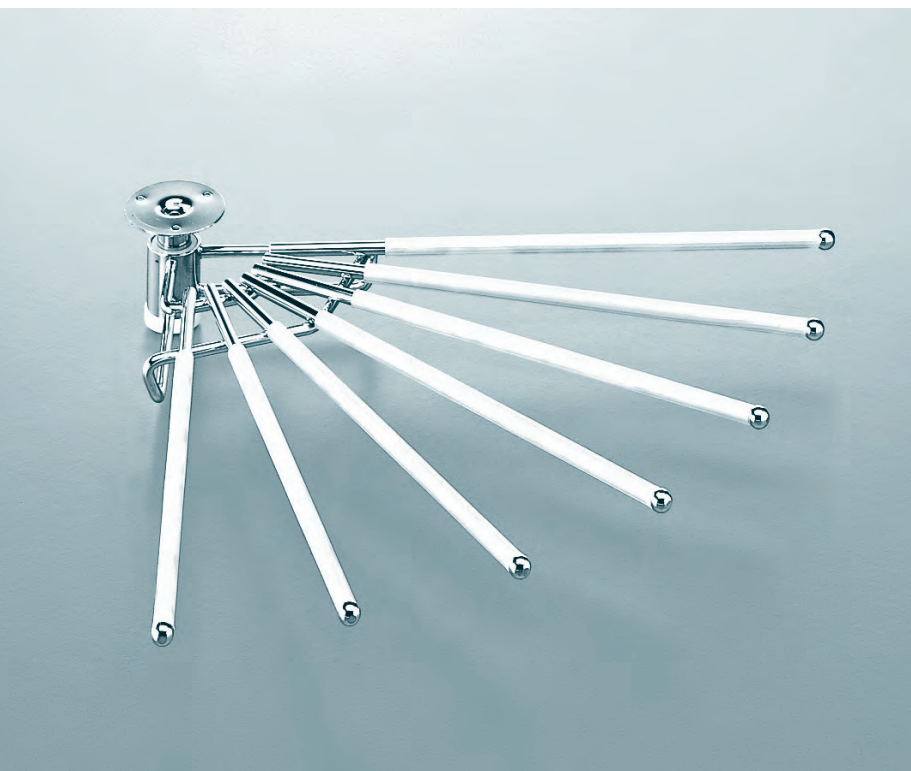
for right and left installation

WxDxH
222 x 455 x 72 **0049610005**





Swivel trouser holder for
seven pairs of trousers



Trouser holder
with movable anti-slip elements

WxDxH
430 x 430 x 75 **0050110005**

Trouser pull-out for
ten pairs of trousers



Trouser pull-out

for ten trousers
with push-aside anti-slip elements
for right and left installation

Dimensions (mm)

Art. No.

WxDxH

465 x 480 x 100

0049900005



Hook rail

fix to side panel, with 5 hooks

Dimensions (mm)

Art. No.

WxDxH

350 x 43 x 49

0010780005





MiO Wardrobe

PRESENTS YOUR CLOTHES PERFECTLY



MiO presents your clothes perfectly.

The panorama glass not only enhances the aesthetics, but also makes it convenient to find the right garment in a jiffy.

The ultra-narrow sides make optimum use of the space and the floating glass prevents dirt and keep the clothes clean.

Aesthetically yours,
MiO





YouK

NEW PERSPECTIVES

 KESSEBÖHMER



YouK

NEW PERSPECTIVES

 KESSEBÖHMER



YouK

CONTEMPORARY DESIGN WITH FRESH TRANSPARENCY

—  KESSEBÖHMER —

CONTEMPORARY LADDER FRAME DESIGN

YouK reflects on the bare essentials with its simplicity.

SIMPLY COHERENT GRIDS

For more assured planning and installation

UNIFORM APPEARANCE

Thanks to the welded frame connection, there are no intrusive connections and dividing lines in the vertical appearance.

EXTREMELY EASY ASSEMBLY

YouK is quickly assembled in just a few steps without any complicated technology.

CAN BE USED IN ANY LIVING ROOM/SPACE

Ideal thanks to the individual choice of shelves.

HIGHLY SCRATCH-RESISTANT

The finish always stays brand new because of the high Teflon content in the surface finish.

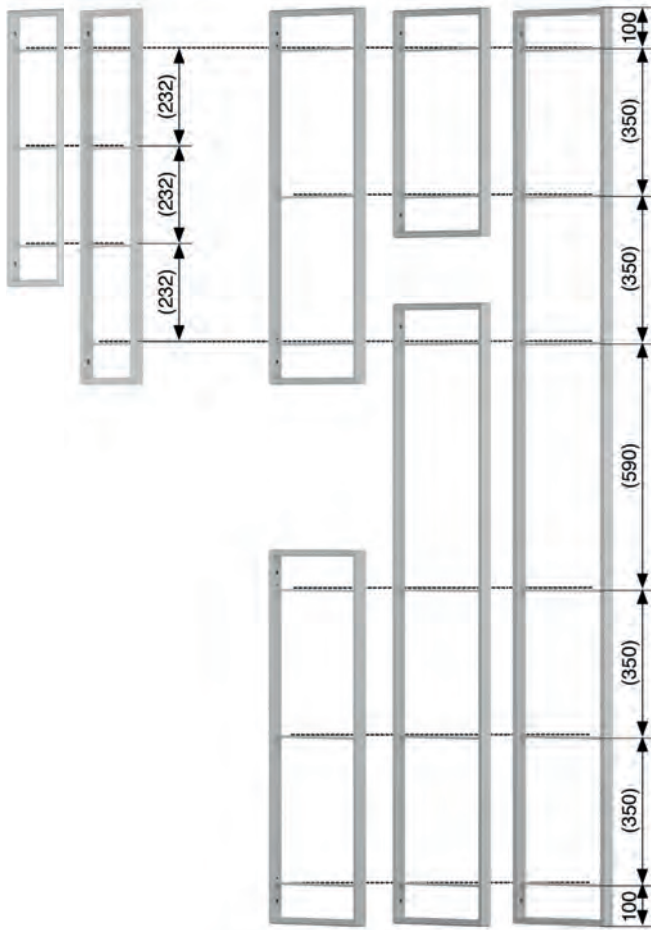


COSINESS IN THE KITCHEN, THE KITCHEN IN THE LIVING ROOM.
 Rooms merge into a modern living space without borders. The industrial style of the flexible but compelling YouK shelving unit suits this well as it adds functional highlights to any area.

In the kitchen or office, as a wall unit, in the bathroom or as a wardrobe.

Depth: 200 mm

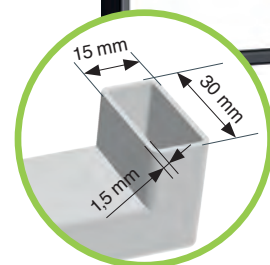
Depth: 320 mm



Simple fixture to the wall

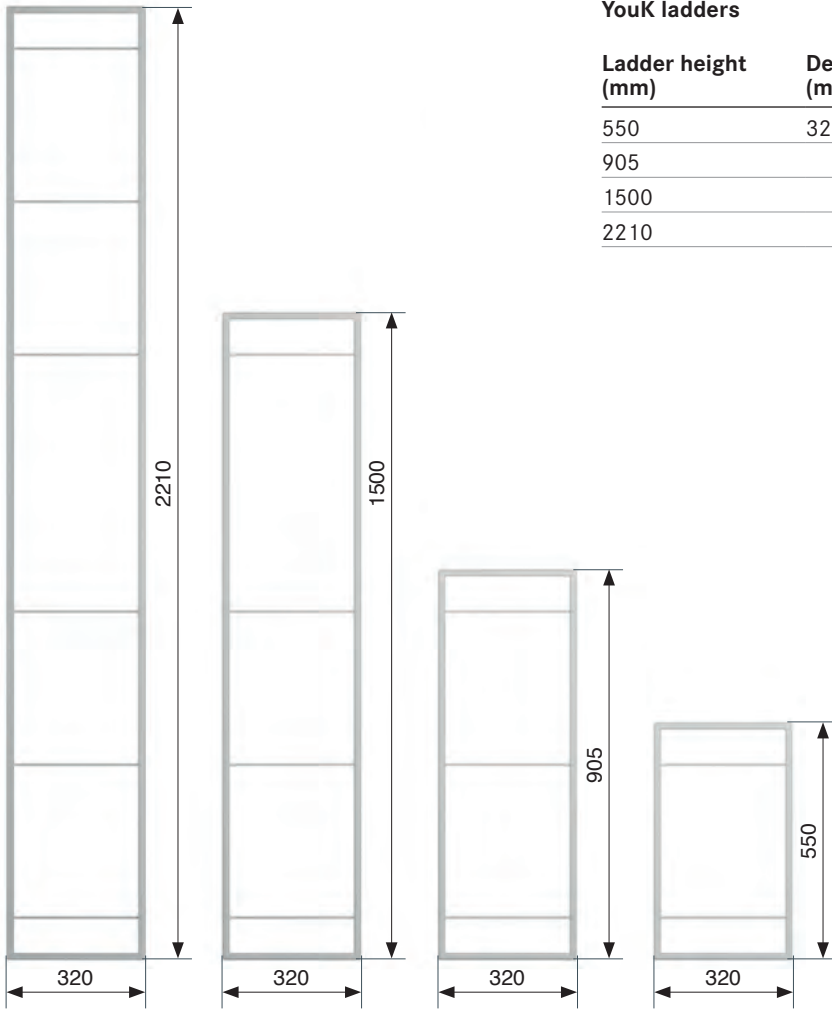
Simple screw fixture of the shelves

Abrasion-resistant surface



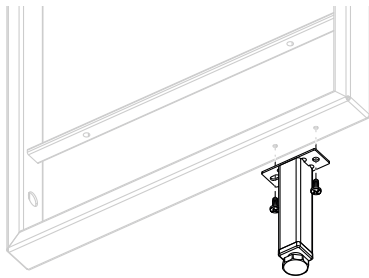
THE VARIOUS GRIDS PROVIDE DIFFERENT HEIGHTS TO PLAY AROUND WITH IN COMBINATION WITH THE CUSTOMER'S CHOICE OF SHELVES (NOT INCLUDED) AND SHELF THICKNESSES.

YouK ladders can be placed on the floor or hung on the wall with screws and various different heights can be combined with each other.



YouK ladders

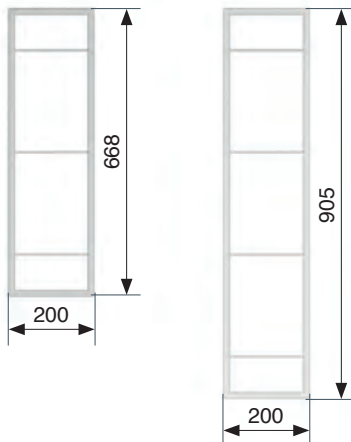
Ladder height (mm)	Depth (mm)	PU piece	Product code Jet black
550	320	1	236750 9873
905		1	236754 9873
1500		1	236758 9873
2210		1	236762 9873



Adjustable foot

Foot height (mm)	PU piece	Product code Jet black
100	1	237023 9873

For ladder depth 320 mm



YouK ladders

Ladder height (mm)	Depth (mm)	PU piece	Product code Jet black
668	200	1	236746 9873
905	200	1	236748 9873

QUALITY – OUR PRODUCTS WORK! OUR WORKMANSHIP IS PRECISE! OUR PRODUCTS ARRIVE RIGHT ON TIME!

 KESSEBÖHMER

The complete process – development, toolmaking, prototyping, manufacturing, finishing and logistics – out of one hand assures reliability and consistent quality for our customers!



ISO 9001



ISO 14001



reddot design award



PLUS X AWARD™

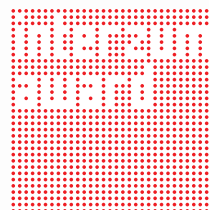


German
Design Award



interior
innovation
award

Winner





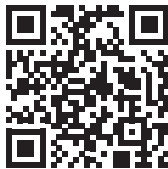
KESSEBÖHMER
CLEVER STORAGE

**QUALITY
WE FEEL STRONGLY
ABOUT OUR PRODUCTS.**

We want you to enjoy using them throughout their long service lives. This is why we subject them to exhaustive quality, endurance and safety tests. We achieve high and lasting quality through strict quality management with continuous monitoring and testing. The effective forces, tight manufacturing tolerances and movement distances are all sensor checked. The spring forces generated in the fittings are monitored to ensure that the high-precision movement sequences and dimensional accuracy in the adjustment range are maintained within tight tolerances. Only then are we satisfied and sure that our products will deliver what we have promised.

Our manufacturing processes are certified to demonstrate that we can meet product specifications. We set a high priority on durable, high quality materials and on high precision processing during our manufacturing processes. Samples from each batch are subjected to endurance tests. In addition, we use continuous camera-based process monitoring and maintain high occupational safety standards for our employees.

Our R&D engineers use the most advanced technical design aids and develop products that will be manufactured using the latest process technologies. The highest level of user-friendliness and convenience is a very high priority from the start. It's an ongoing challenge for us to combine outstanding engineering with elegant, aesthetically pleasing design. And we're naturally delighted if this symbiosis wins us awards.



www.kesseboehmer.com www.kesseboehmer.co.in

Kesseboehmer Furniture Fittings Pvt Ltd.

Nishigandha Warehouse | Gat No. 352 | Village Ghotawade | Taluka Mulshi | District Pune - 412115 | India
Customer Care Number +91 7719911666 | www.kesseboehmer.co.in

Kesseböhmer GmbH | Mindener Str. 208 | 49152 Bad Essen | Germany | Tel.: +49 (57 42) 46-0 | www.kesseboehmer.com